

Fig. 910 - Swivel Sway Brace Fitting



Size Range — 1" and 1¼" bracing pipe. For brace pipe sizes larger than 1¼", use TOLCO Fig. 980.

Material — Carbon Steel

Function — For bracing pipe against sway and seismic disturbances. The building attachment component of a sway brace system; the Fig. 910 is used in conjunction with the Fig. 1001, Fig. 1000 or with a Fig. 4A Pipe Clamp and joined together with a brace pipe per NFPA 13.

Features — This product's design incorporates a **concentric** attachment opening which is critical to the performance of structural seismic connections. NFPA 13 (2010) 9.3.5.8.4 indicates that fastener table load values are based only on concentric loading. Universal swivel design allows Fig. 910 to be attached at any surface angle.

Approvals — Underwriter's Laboratories Listed in the USA (**UL**) and Canada (**cUL**). Included in our Seismic Restraints Catalog approved by the State of California Office of Statewide Health Planning and Development (**OSHPD**). For additional load, spacing and placement information relating to OSHPD projects, please refer to the TOLCO Seismic Restraint Systems Guidelines.

Installation Instructions — The Fig. 910 is a structural or transitional attachment component of a longitudinal or lateral sway brace assembly. It is intended to be combined with the "bracing pipe", and TOLCO "braced pipe" attachment, Fig. 1000, 1001, 4A, 4B or 4L to form a complete bracing assembly. Follow NFPA 13 and/or OSHPD guidelines.

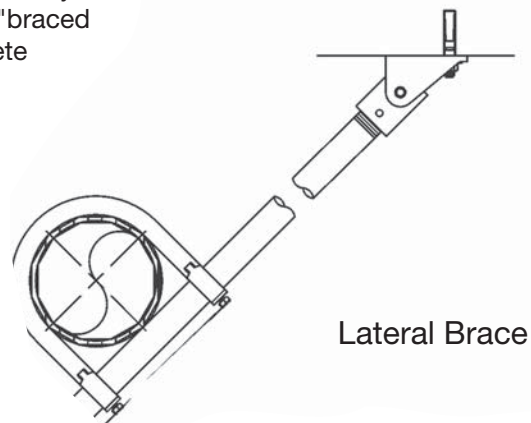
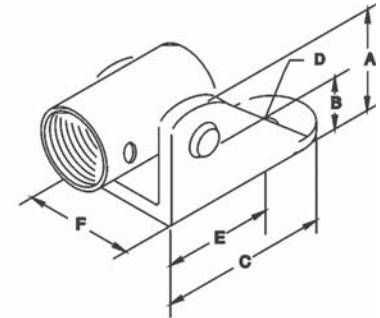
To Install — Thread the pipe into the Fig. 910 until pipe threads are visible through inspection site hole. Attachment can pivot for adjustment to proper brace angle.

Note — The Fig. 910 Swivel Attachment and the Fig. 1001, Fig. 1000, or Fig. 4A Pipe Clamp make up a sway brace system of (**UL**) Listed attachments and bracing materials which satisfies the requirements of Underwriters' Laboratories and the National Fire Protection Association (**NFPA**).

Finish — Plain

Note — Available in Electro-Galvanized

Order By — Figure number, pipe size and finish.



Dimensions • Weights

Pipe Size	A	B	C	Hole Size D	E	F	Max. Design Load Lbs.	Approx. Wt./100
1	2	1½	3	9/16	2 ⁵ / ₁₆	2	2015	88
1¼	1 ³ / ₁₆	1 ⁵ / ₁₆	3	9/16	2 ⁵ / ₁₆	2 ⁵ / ₁₆	2015	99

NOTE - Available with hole sizes to accommodate up to 3/4" fastener. Consult factory.

TOLCO® brand bracing components are designed to be compatible **ONLY** with other TOLCO® brand bracing components, resulting in a Listed seismic bracing assembly. **DISCLAIMER** — NIBCO does **NOT** warrant against the failure of TOLCO® brand bracing components, in the instance that such TOLCO® brand bracing components are used in combination with products, parts or systems which are not manufactured or sold under the TOLCO® brand. NIBCO shall **NOT** be liable under any circumstance for any direct or indirect, incidental or consequential damages of any kind, including but not limited to loss of business or profit, where non-TOLCO brand bracing components have been, or are used.