

Fig. 61T - Bar Joist Hanger



Size Range — 3/8" thru 1/2" rod sizes

Material — Carbon Steel

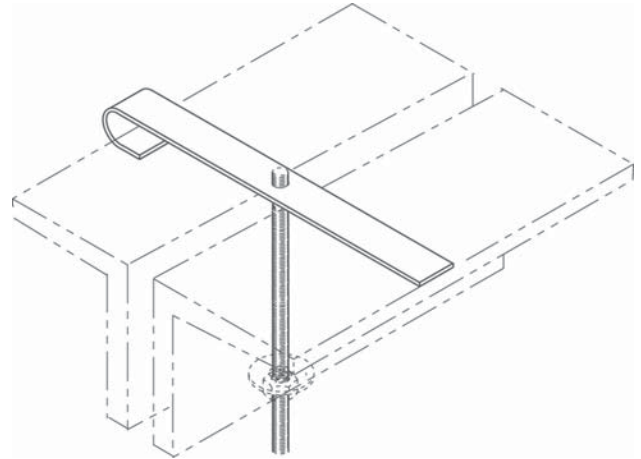
Function — Designed to hook on top chord of metal bar joist. Hanger rod is threaded into product and secured with a washer and nut.

Approvals — Underwriters' Laboratories Listed in the USA (**UL**) and Canada (**cUL**) for up to 4" pipe with 3/8" rod, up to 6" pipe with 1/2" rod.

Finish — Plain

Note — Available in Electro-Galvanized and HDG finish or Stainless Steel materials.

Order By — Figure number, rod size, width and thickness of bar joist. Threaded hole will be center of that width.



Dimensions		
Pipe Size	Rod Size	Max. Rec. Load Lbs.
Up to 4	3/8	300
6	1/2	600

