

Fig. 31-M - Welded Knee Bracket

Size Range — 1/2" thru 8" pipe

Material — Carbon Steel

Function — Recommended for suspending pipe outward from mounting surface.

Finish — Plain

Note — Maximum "L" dimension 1'-4". Available in Electro-Galvanized and HDG finish or Stainless Steel materials.

Order By — Figure number, pipe size, indicate "L" dimension and finish

Dimensions		
Pipe Size	H Hole Size	Max. Rec. Load Lbs.
1/2 - 2½	9/16	1000
3	9/16	1000
3½	9/16	1000
4	11/16	1000
5	11/16	1000
6	11/16	1000
8	11/16	1000

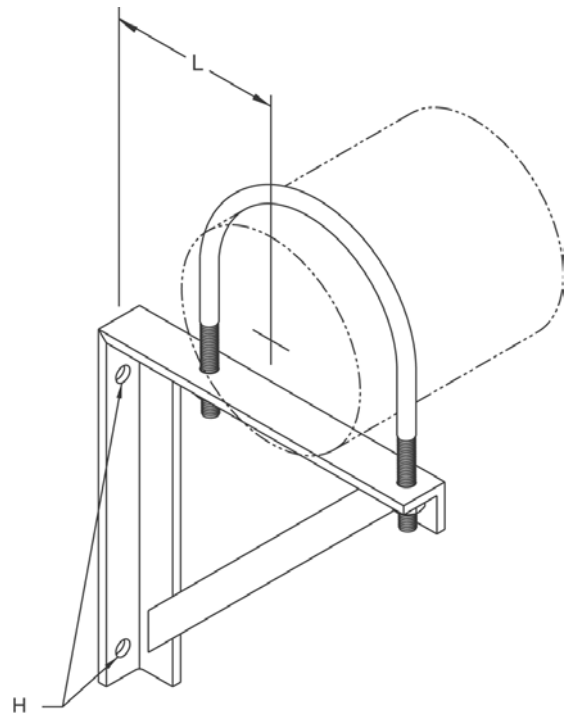


Fig. 31-O - "O" Bracket

Size Range — 1/2" thru 8" pipe

Material — Carbon Steel

Function — Recommended for suspending pipe outward from mounting surface.

Finish — Plain

Note — Maximum "L" dimension 1'-4". Available in Electro-Galvanized and HDG finish or Stainless Steel materials.

Order By — Figure number, pipe size, indicate "L" dimension and finish

Dimensions		
Pipe Size	H Hole Size	Max. Rec. Load Lbs.
1/2 - 2½	9/16	450
3	9/16	450
3½	9/16	450
4	11/16	450
5	11/16	450
6	11/16	450
8	11/16	450

