

Fig. 319 - Threaded Pipe with Adjuster

Size Range — For use with 2½" thru 36" pipe

Material — Carbon Steel

Function — Straight threaded shank that permits adjustment after installation

Approvals — Conforms to Federal Specification

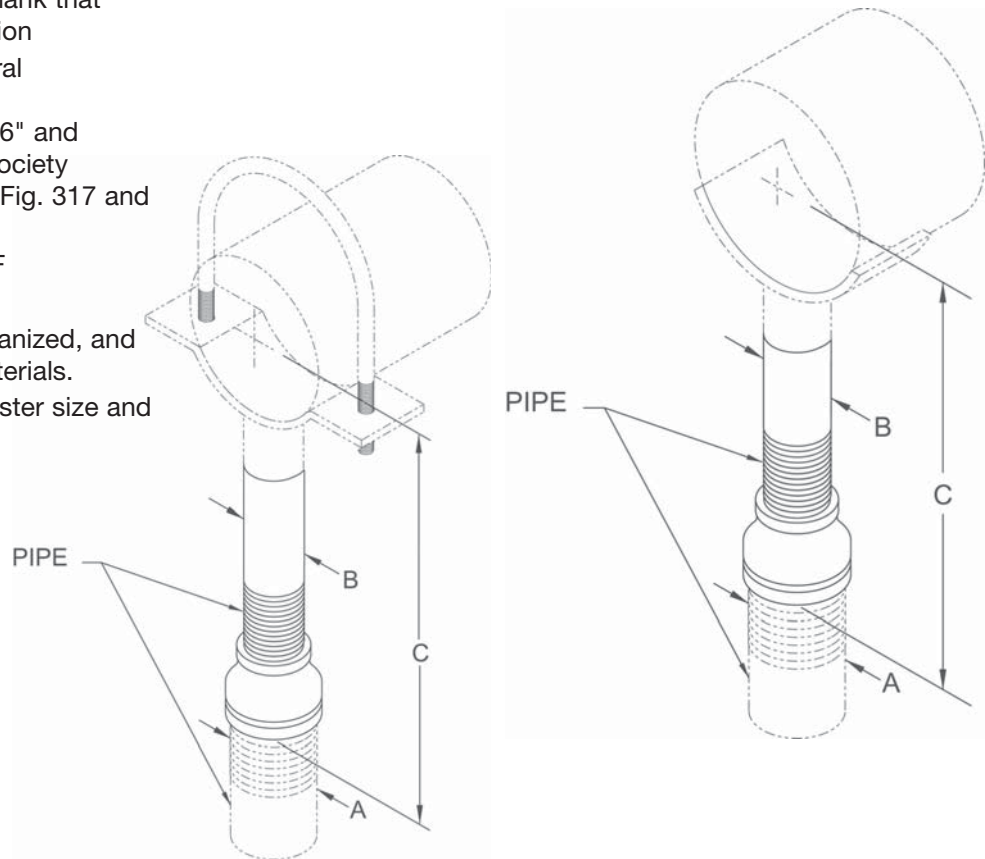
WW-H-171E, Type 39 2½" thru 36" and Manufacturers Standardization Society SP-69, Type 38, when used with Fig. 317 and Fig. 318 Pipe Saddle.

Maximum Temperature — 650°F

Finish — Plain

Note — Available in Electro-Galvanized, and HDG finish or Stainless Steel materials.

Order By — Figure number, adjuster size and finish



Dimensions • Weights

Adjuster Size	Pipe Size	Max. O.D. of Pipe	A Pipe Size	B Pipe Size	C Min.	C Max.	Approx. Wt./100
1½ x 2	2½	2⅞	2	1½	7	11½	304
1½ x 2	3	3½	2	1½	7⅞	11⅞	304
1½ x 2	3½	4	2	1½	7⅞	12¼	304
2½ x 3	4	4⅞	3	2½	10¼	14¾	793
2½ x 3	5	5⅞	3	2½	11⅞	15⅞	793
2½ x 3	6	7	3	2½	11⅞	16¼	793
2½ x 3	8	9⅞	3	2½	13⅞	18¼	793
2½ x 3	10	11⅞	3	2½	14⅞	19⅞	793
2½ x 3	12	13½	3	2½	15⅞	20⅞	793
3 x 4	14	14	4	3	18⅞	23⅞	1220
3 x 4	16	16	4	3	19⅞	24⅞	1220
4 x 6	18	18	6	4	22¼	26¾	2248
4 x 6	20	20	6	4	23¼	27¾	2248
4 x 6	22	22	6	4	24¼	28¾	2248
4 x 6	24	24	6	4	26½	31	2248
4 x 6	26	26	6	4	27½	32	2248
4 x 6	30	30	6	4	29⅞	24⅞	2248
4 x 6	32	32	6	4	30⅞	35⅞	2248
4 x 6	36	36	6	4	32⅞	37⅞	2248