

Fig. 318 - Pipe Saddle with U-Bolt

Size Range — 4" thru 36" pipe

Material — Carbon Steel

Function — Designed to support horizontal pipe from floor stanchion. U-bolts and hex nuts are provided to hold pipe securely to saddle. To complete floor stanchion, use with Fig. 316 Stand Pipe. For complete floor stanchion with vertical adjustment, use Fig. 319 Threaded Pipe with Adjuster and Fig. 316T Threaded Pipe Stand.

Approvals — Conforms to Federal Specification

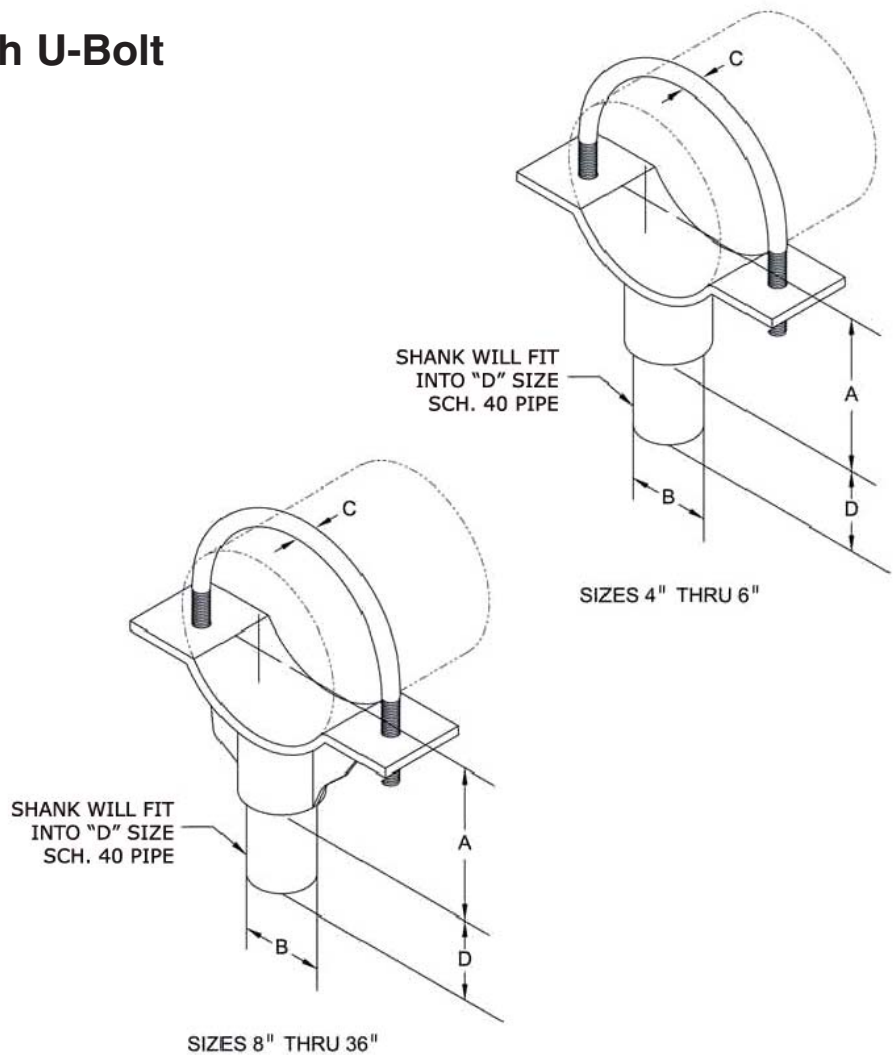
WW-H-171E, Type 38, 4" thru 36", and Manufacturers Standardization Society SP-69, Type 37

Maximum Temperature — 750°F

Finish — Plain

Note — Available in Electro-Galvanized and HDG finish or Stainless Steel materials.

Order By — Figure number and pipe size



Dimensions • Weights

Pipe Size	Max. O.D. Pipe	A	B	C	D	Approx. Wt./100
4	4 ⁷ / ₈	3 ¹³ / ₁₆	2 ³ / ₈	1/2	2 ¹ / ₂	620
5	5 ⁵ / ₈	4 ³ / ₁₆	2 ³ / ₈	1/2	2 ¹ / ₂	660
6	7	4 ⁷ / ₈	2 ³ / ₈	5/8	2 ¹ / ₂	835
8	9 ¹ / ₈	6 ¹⁵ / ₁₆	2 ³ / ₈	5/8	2 ¹ / ₂	1120
10	11 ¹ / ₈	7 ¹⁵ / ₁₆	2 ³ / ₈	3/4	2 ¹ / ₂	1400
12	13 ¹ / ₂	9 ¹ / ₈	2 ³ / ₈	7/8	3	1800
14	14	10 ¹ / ₂	2 ⁷ / ₈	7/8	3	2930
16	16	11 ¹ / ₂	2 ⁷ / ₈	7/8	3	3225
18	18	13 ¹ / ₂	3 ³ / ₄	1	4	3960
20	20	14 ¹ / ₂	3 ³ / ₄	1	4	4309
22	22	15 ¹ / ₂	3 ³ / ₄	1	4	4660
24	24	17 ¹ / ₂	3 ³ / ₄	1	4	5188
26	26	18 ¹ / ₂	3 ³ / ₄	1	4	5520
30	30	20 ⁵ / ₈	3 ³ / ₄	1	4	6948
32	32	21 ⁵ / ₈	3 ³ / ₄	1	4	7327
36	36	23 ⁵ / ₈	3 ³ / ₄	1	4	8046