

Fig. 20 - Standard Pipe Strap

Fig. 20S - Flush Mount Pipe Strap

Size Range — 1/2" thru 8" pipe

Material — Carbon Steel

Function — Recommended for supporting pipe with fittings vertically or horizontally to walls or ceiling. Fig. 20S will support pipe flush with mounting surface.

Approvals — Conforms to Federal Specification WW-H-171E, Type 26 and Manufacturers Standardization Society SP-69, Type 26.

Finish — Plain

Note — Available in Electro-Galvanized and HDG finish or Stainless Steel materials.

Order By — Figure number, pipe size, material and finish

Data Table for Fig. 20S

Dimensions • Weights							
Pipe Sizes	A	B	C	D	Hole Size	Max. Rec. Load Lbs.	Approx. Wt./100
1/2	4 1/8	5/16	2 7/8	3/4	7/16	410	21
3/4	4 5/16	7/16	3	15/16	7/16	410	24
1	4 9/16	9/16	3 3/8	1 1/8	7/16	410	26
1 1/4	4 15/16	1 1/16	3 3/4	1 1/2	7/16	410	30
1 1/2	5 3/16	1 3/16	4 1/4	1 5/8	7/16	410	33
2	5 3/4	1 1/2	4 3/4	2 1/4	7/16	410	38
2 1/2	6 1/4	1 9/16	5 1/4	2 3/4	7/16	610	102
3	6 7/8	1 5/8	5 7/8	3 3/8	7/16	610	118
3 1/2	7 3/8	1 7/8	6 3/8	3 7/8	7/16	610	130
4	8 3/8	2 1/8	7	4 3/8	9/16	725	159
5	9 7/16	2 5/8	7 7/8	5 3/8	9/16	725	191
6	10 1/2	3 3/16	8 7/8	6 7/16	9/16	725	234
8	14	4 1/4	11 1/2	8 3/8	1 1/16	900	446

Data Table for Fig. 20

Dimensions • Weights							
Pipe Sizes	A	B	C	D	Hole Size	Max. Rec. Load Lbs.	Approx. Wt./100
1/2	3 7/8	3/4	3 1/16	15/32	7/16	410	16
3/4	4	13/16	3 1/8	1 5/16	7/16	410	21
1	4 9/16	7/8	3 3/8	1 1/2	7/16	410	26
1 1/4	4 15/16	1	3 3/4	1 7/8	7/16	410	30
1 1/2	5 3/16	1 3/16	4 1/4	2 1/8	7/16	410	33
2	5 3/4	1 7/16	4 3/4	2 5/8	7/16	410	38
2 1/2	6 1/4	1 11/16	5 1/4	3 1/8	7/16	610	102
3	6 7/8	2	5 7/8	3 3/4	7/16	610	118
3 1/2	7 3/8	2 1/4	6 3/8	4 1/4	7/16	610	130
4	8 3/8	2 1/2	7	4 3/4	9/16	725	159
5	9 7/16	3 1/16	7 7/8	5 13/16	9/16	725	191
6	10 1/2	3 5/8	8 7/8	6 7/8	9/16	725	234
8	14	4 5/8	11 1/2	9	1 1/16	900	446

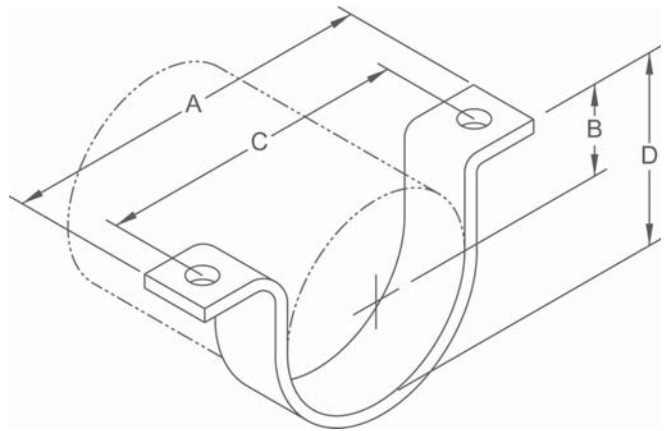


FIG. 21 - "Tin Strap"

Size Range — 1/2" thru 2" pipe

Material — Pre-Galvanized Steel

Function — Light duty strap that attaches pipe or copper tubing to horizontal or vertical structure.

Finish — Pre-Galvanized

Note — Available with felt lining, order TOLCO® Fig. 21F.

Order By — Figure number and pipe size

