



UNITED BRASS WORKS, INC.

714 S. Main St. Randleman, N.C. 27317

Tel: 800-334-3035 Fax: 800-498-4696 www.ubw.com



Model 68 Threaded Check Valve

Male NPT x Female NPT

UL Listed • FM Approved

**As anti-water hammer check valve for fire pump service only!*

250 WOG @ 180 ° Max

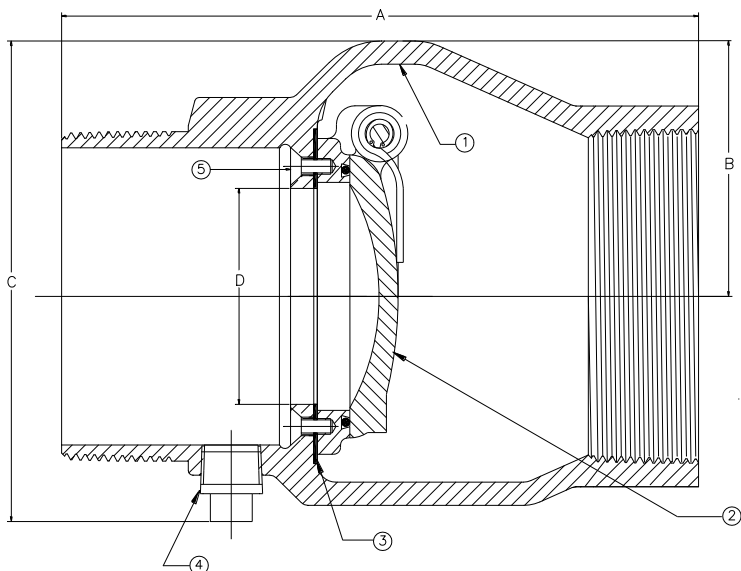
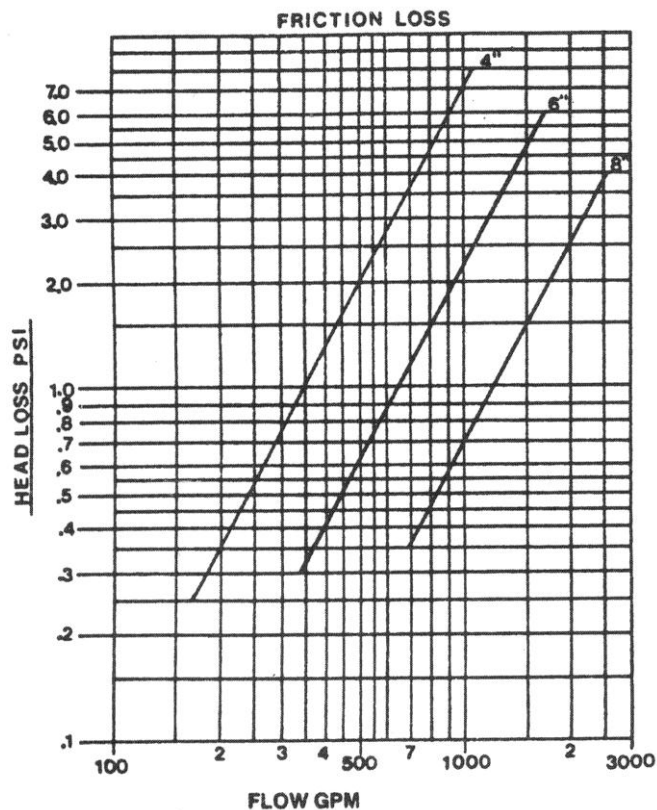
100% Pressure Tested

Threaded Ends

Contains Lead. Not For Use in Water Systems Intended For Human Consumption

MATERIAL LIST

NO.	DESCRIPTION	MATERIAL
1	Body	Ductile Iron
2	Seat Ring Assembly	Bronze
3	Seat Ring Gasket	Buna
4	Pipe Plug	Steel
5	Screw	Stainless Steel



Size	A	B	C	D
4"	8.56	3.44	6.25	3.00

Ship Wgt. (lbs.)	Qty. Per Ctn.
17.0	1