

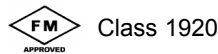
	TECHNICAL DATA	GROOVED FITTINGS MODEL V-7160 END CAP
---	-----------------------	--

The Viking Corporation, 210 N Industrial Park Drive, Hastings MI 49058
Telephone: 269-945-9501 Technical Services: 877-384-5464 Fax: 269-818-1680 Email: techsvcs@vikingcorp.com

1. DESCRIPTION

VGS® Model V-7160 End Caps are available in sizes 1-1/4” through 12”. Fitting solutions are available in a number of styles and configurations to support a variety of applications. VGS® grooved-end fittings are manufactured at ISO901 certified facilities and are designed to conform to ASTM and other standards where applicable. These products are manufactured and designed to meet ASTM F1548 and ANSI/AWWA C606 requirements for use with grooved mechanical couplings conforming to ASTM F1476.

2. LISTINGS AND APPROVALS



3. TECHNICAL DATA

Specifications:
 Maximum working pressure: 300 psi (21 bar)
 Ductile iron conforming to ASTM A536 Grade 65-45-12
 Coating rust inhibiting paint - Orange RAL 2001
 Hot dipped Zinc galvanized versions are available (conforming to ASTM A153); when ordering, add a “G” suffix to the Model number.

The latest VGS® Technical Data
 can be accessed at
<http://www.vikinggroupinc.com>.
 Scan to visit our Mobile website:



<http://vikinggroup.mobi/p/46374>

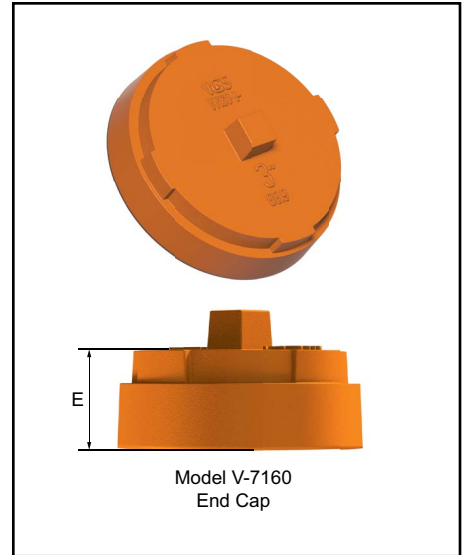


TABLE 1: VGS Model V-7160 END CAP SIZING CHART			
Nominal Size in (mm)	Pipe O.D. in (mm)	V-7160 End Cap	
		E in (mm)	Lbs (Kgs)
1.25 (32)	1.66 (42)	1 (25)	0.4 (0.2)
1.5 (40)	1.9 (48)	1 (25)	0.4 (0.2)
2 (50)	2.375 (60)	1 (25)	0.7 (0.3)
2.5 (65)	2.875 (73)	1 (25)	0.9 (0.4)
3 (80)	3.5 (89)	1 (25)	1.5 (0.7)
4 (100)	4.5 (114)	1 (25)	2.4 (1.1)

TABLE 1 (cont.): VGS Model V-7160 END CAP SIZING CHART			
Nominal Size in (mm)	Pipe O.D. in (mm)	V-7160 End Cap	
		E in (mm)	Lbs (Kgs)
5 (125)	5.563 (141)	1 (25)	3.7 (1.7)
6 (150)	6.625 (168)	1 (25)	6.6 (3)
8 (200)	8.625 (219)	1.18 (30)	12.1 (5.5)
10 (250)	10.75 (273)	1.25 (32)	15.4 (7)
12 (300)	12.75 (323.9)	1.25 (32)	22 (10)