



## TECHNICAL DATA

## MICROFAST® EC/QREC FUSIBLE ELEMENT PENDENT SPRINKLER VK607 (K5.6)

The Viking Corporation, 210 N Industrial Park Drive, Hastings MI 49058

Telephone: 269-945-9501 Technical Services: 877-384-5464 Fax: 269-818-1680 Email: techsvcs@vikingcorp.com

Visit the Viking website for the latest edition of this technical data page [www.vikinggroupinc.com](http://www.vikinggroupinc.com).

### 1. DESCRIPTION

Viking QREC Fusible Element Pendent Sprinkler VK607 is a thermosensitive solder link spray sprinkler available in several different finishes and temperature ratings to meet varying design requirements. The fusible operating element and special deflector characteristics meet the challenges of quick response extended coverage standards. The special Polyester coatings can be used in decorative applications where colors are desired.

### 2. LISTINGS AND APPROVALS

 **cULus Listed:** Category VNIV

 **FM Approved:** Class 2020

Refer to Approval Chart 1 and UL Design Criteria for cULus Listing requirements that must be followed.

### 3. TECHNICAL DATA

#### Specifications:

Minimum Operating Pressure: Refer to the Approval Charts.

Maximum Working Pressure: 175 psi (12 bar). Factory tested hydrostatically to 500 psi (34.5 bar).

Thread sizes: 1/2" (15 mm) NPT

Nominal K-Factors: 5.6 U.S. (80.6 metric†)

† Metric K-factor measurement shown is in Bar. When pressure is measured in kPa, divide the metric K-factor shown by 10.0.

Overall Length: 2-1/4" (58 mm)

#### Material Standards:

Sprinkler Frame: Brass UNS-C84400

Deflector: Phosphor Bronze UNS-C51000

Fusible Element Assembly: Nickel Alloy

Trigger and Support: Stainless Steel UNS-S31600

Belleville Spring Sealing Assembly: Nickel Alloy, coated on both sides with PTFE Tape

Seat and Insert Assembly: Copper UNS-C11000 and Stainless Steel UNS-S30400

Screw: Brass UNS-C36000

For Polyester Coated Sprinklers: Belleville Spring-Exposed

**Ordering Information:** (Also refer to the current Viking price list.)

Order QREC Fusible Element Pendent Sprinkler VK607 by first adding the appropriate suffix for the sprinkler finish and then the appropriate suffix for the temperature rating to the sprinkler base part number.

Finish Suffix: Brass = A, Chrome = F, White Polyester = M-/W, and Black Polyester = M-/B

Temperature Suffix: 165 °F (74 °C) = C and 205 °F (96 °C) = E

For example, sprinkler VK607 with a Brass finish and a 165 °F (74 °C) temperature rating = Part No. 13970AC

**Available Finishes And Temperature Ratings:** Refer to Table 1.

**Accessories:** (Also refer to the Viking website.)

#### Sprinkler Wrenches:

A. Standard Wrench: Part No. 21475M/B (available since 2017)

B. Wrench for coated and/or recessed sprinklers: Part No. 13577W/B†† (available since 2006)

††A 1/2" ratchet is required (not available from Viking).

#### Sprinkler Cabinets:

A. Six-head capacity: Part No. 01724A (available since 1971)

B. Twelve-head capacity: Part No. 01725A (available since 1971)

### 4. INSTALLATION

Refer to appropriate NFPA Installation Standards.



**For Light Hazard Occupancies Only**

NOTE: As of May 2018 all logos have been removed from the wrench boss.

	<b>TECHNICAL DATA</b>	<b>MICROFAST® EC/QREC FUSIBLE ELEMENT PENDENT SPRINKLER VK607 (K5.6)</b>
-----------------------------------------------------------------------------------	-----------------------	----------------------------------------------------------------------------------

The Viking Corporation, 210 N Industrial Park Drive, Hastings MI 49058  
 Telephone: 269-945-9501 Technical Services: 877-384-5464 Fax: 269-818-1680 Email: techsvcs@vikingcorp.com  
 Visit the Viking website for the latest edition of this technical data page [www.vikinggroupinc.com](http://www.vikinggroupinc.com).

**5. OPERATION**

During fire conditions, the heat-sensitive fusible element assembly disengages, releasing the seat and spring assemblies to open the waterway. Water flowing through the sprinkler orifice strikes the sprinkler deflector, forming a uniform spray pattern to extinguish or control the fire.

**6. INSPECTIONS, TESTS AND MAINTENANCE**

Refer to NFPA 25 for Inspection, Testing and Maintenance requirements.

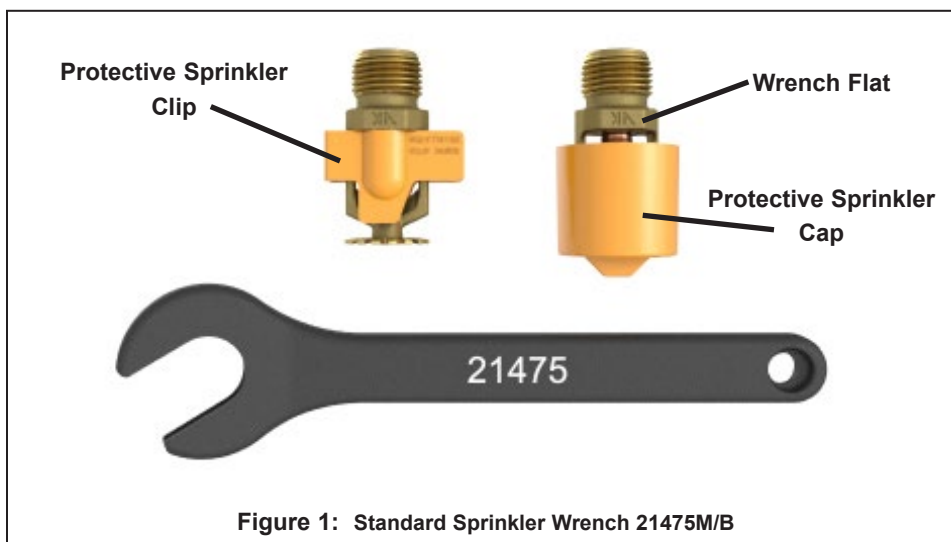
**7. AVAILABILITY**

The Viking Model VK607 Sprinkler is available through a network of domestic and international distributors. See The Viking Corporation web site for the closest distributor or contact The Viking Corporation.

**8. GUARANTEE**

For details of warranty, refer to Viking’s current list price schedule or contact Viking directly.

TABLE 1: AVAILABLE SPRINKLER TEMPERATURE RATINGS AND FINISHES			
Sprinkler Temperature Classification	Sprinkler Nominal Temperature Rating <sup>1</sup>	Maximum Ambient Ceiling Temperature <sup>2</sup>	Frame Paint Color
Ordinary	165 °F (74 °C)	100 °F (38 °C)	None
Intermediate	205 °F (96 °C)	150 °F (65 °C)	White
<b>Sprinkler Finishes:</b> Brass, Chrome, White Polyester <sup>3</sup> , and Black Polyester <sup>3</sup>			
<b>Footnotes</b>			
<sup>1</sup> Decorative sprinklers may not be color coded. The temperature rating is stamped on the deflector. <sup>2</sup> Based on NFPA-13. Other limits may apply, depending on fire loading, sprinkler location, and other requirements of the Authority Having Jurisdiction. Refer to specific installation standards. <sup>3</sup> For automatic sprinklers, the coatings indicated are applied to the exposed exterior surfaces only. Note that the spring is exposed on sprinklers with Polyester coatings.			



**Figure 1: Standard Sprinkler Wrench 21475M/B**



## TECHNICAL DATA

## MICROFAST® EC/QREC FUSIBLE ELEMENT PENDENT SPRINKLER VK607 (K5.6)

The Viking Corporation, 210 N Industrial Park Drive, Hastings MI 49058

Telephone: 269-945-9501 Technical Services: 877-384-5464 Fax: 269-818-1680 Email: techsvcs@vikingcorp.com

Visit the Viking website for the latest edition of this technical data page [www.vikinggroupinc.com](http://www.vikinggroupinc.com).

<b>Approval Chart 1 (UL)</b> Quick Response Extended Coverage Pendent Fusible Element Sprinkler VK607 For Light Hazard Occupancies Only. Maximum 175 PSI (12 Bar) WWP								
Sprinkler Base Part Number <sup>1</sup>	SIN	NPT Thread Size		Nominal K-Factor		Maximum Areas of Coverage <sup>4</sup> (Length x Width)	Minimum Water Supply Requirements <sup>4</sup> Flow/Pressure	Listings and Approvals <sup>3</sup> (Refer also to Design Criteria below.)
		Inches	mm	U.S.	metric <sup>2</sup>			cULus <sup>5</sup>
<b>Standard Response Applications<sup>5</sup></b> Maximum 175 PSI (12 Bar) WWP								
13970	VK607	1/2	15	5.6	80.6	18' x 18' (5.5 m x 5.5 m)	33 gpm @ 34.7 psi (124.9 L/min @ 2.4 Bar)	B1Z
13970	VK607	1/2	15	5.6	80.6	20' x 20' (6.1 m x 6.1 m)	40 gpm @ 51.0 psi (151.4 L/min @ 3.52 Bar)	B1Z, C1Z
<b>Quick Response Applications</b> Maximum 175 PSI WWP								
13970	VK607	1/2	15	5.6	80.6	16' x 16' (4.9 m x 4.9 m)	26 gpm @ 21.6 psi (98.4 L/min @ 1.49 Bar)	A1X
13970	VK607	1/2	15	5.6	80.6	18' x 18' (5.5 m x 5.5 m)	33 gpm @ 34.7 psi (124.9 L/min @ 2.4 Bar)	A1Y, C1X
13970	VK607	1/2	15	5.6	80.6	20' x 20' (6.1 m x 6.1 m)	40 gpm @ 51.0 psi (151.4 L/min @ 3.52 Bar)	C1Y
<b>Approved Temperature Ratings</b> A - 165 °F (74 °C) and 205 °F (96 °C) B - 165 °F (74 °C) C - 205 °F (96 °C)		<b>Approved Finishes</b> 1 - Brass, Chrome, White Poly-ester, and Black Polyester				<b>Approved Escutcheons</b> X - Installed with standard surface-mounted escutcheons or the Viking Microfast® Model F-1 Adjustable Escutcheon, <b>or</b> recessed with the Viking Micromatic® Model E-1, E-2, or E-3 Recessed Escutcheon Y - Installed with standard surface-mounted escutcheons or the Viking Microfast® Model F-1 Adjustable Escutcheon Z - Recessed with the Viking Micromatic® Model E-1, E-2, or E-3 Recessed Escutcheon		
<b>Footnotes</b>								
<sup>1</sup> Part number shown is the base part number. For complete part number, refer to current Viking price list schedule. <sup>2</sup> Metric K-factor measurement shown is when pressure is measured in Bar. When pressure is measured in kPa, divide the metric K-factor shown by 10.0. <sup>3</sup> This chart shows the listings and approvals available at the time of printing. Other approvals may be in process. Check with the manufacturer for any additional approvals. <sup>4</sup> For areas of coverage smaller than shown, use the "Minimum Water Supply Requirement" for the next larger area listed with sprinklers of similar K-factor. Flows and pressures listed are per sprinkler. <sup>5</sup> Listed by Underwriter's Laboratories, Inc. for use in the U.S. and Canada for Light Hazard occupancies with smooth, flat, horizontal ceilings only. <sup>6</sup> Meets New York City requirements, effective July 1, 2008.								

KEY	
Temperature	—
Finish	—
Escutcheon (if applicable)	—



**TECHNICAL DATA**

**MICROFAST® EC/QREC  
FUSIBLE ELEMENT PENDENT  
SPRINKLER VK607 (K5.6)**

The Viking Corporation, 210 N Industrial Park Drive, Hastings MI 49058  
 Telephone: 269-945-9501 Technical Services: 877-384-5464 Fax: 269-818-1680 Email: techsvcs@vikingcorp.com  
 Visit the Viking website for the latest edition of this technical data page [www.vikinggroupinc.com](http://www.vikinggroupinc.com).

**DESIGN CRITERIA - UL**

(Also refer to Approval Chart 1 above.)

**cULus Listing Requirements:**

QREC Pendent Sprinkler VK607 is cULus Listed as indicated in Approval Chart 1 for installation in accordance with the latest edition of NFPA 13 for extended coverage pendent spray sprinklers:

- Limited to Light Hazard occupancies, where allowed by the installation standards being applied, with smooth, flat, horizontal ceilings only.
- Minimum spacing allowed is 8 ft. (2.4 m) unless baffles are installed in accordance with NFPA 13.
- Minimum distance from walls is 4 in. (102 mm).
- Maximum distance from walls shall be no more than one-half of the allowable distance between sprinklers. The distance shall be measured perpendicular to the wall.
- The sprinkler installation and obstruction rules contained in NFPA 13 for extended coverage pendent spray sprinklers must be followed.

**IMPORTANT: Always refer to Bulletin Form No. F\_091699 - Care and Handling of Sprinklers. Also refer to pages EC1-3 for general care, installation, and maintenance information. Viking sprinklers are to be installed in accordance with the latest edition of Viking technical data, the appropriate standards of NFPA, LPCB, APSAD, VdS or other similar organizations, and also with the provisions of governmental codes, ordinances, and standards, whenever applicable.**

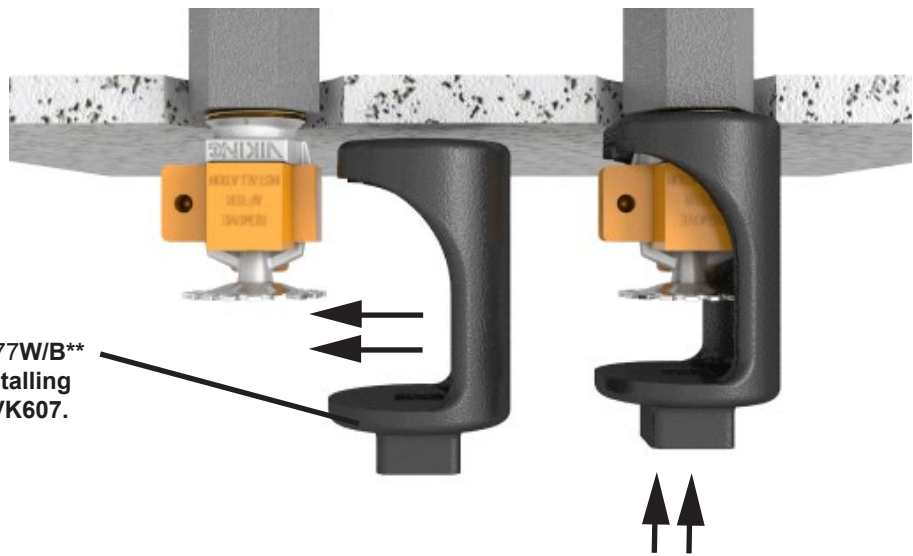
**Step 1: Carefully slide the wrench sideways around the deflector, ensuring engagement with the sprinkler wrench flats.**

**Sprinkler wrench 13577W/B\*\* must be used for installing recessed Sprinkler VK607.**

**\*\* A 1/2" ratchet is required (not available from Viking)**

**Step 2: Carefully press the wrench upward and ensure engagement with the sprinkler wrench flats.**

**Figure 2: Wrench 13577W/B for Recessed Pendent Sprinklers**





**TECHNICAL DATA**

**MICROFAST® EC/QREC  
FUSIBLE ELEMENT PENDENT  
SPRINKLER VK607 (K5.6)**

The Viking Corporation, 210 N Industrial Park Drive, Hastings MI 49058  
 Telephone: 269-945-9501 Technical Services: 877-384-5464 Fax: 269-818-1680 Email: techsvcs@vikingcorp.com  
 Visit the Viking website for the latest edition of this technical data page www.vikinggroupinc.com.

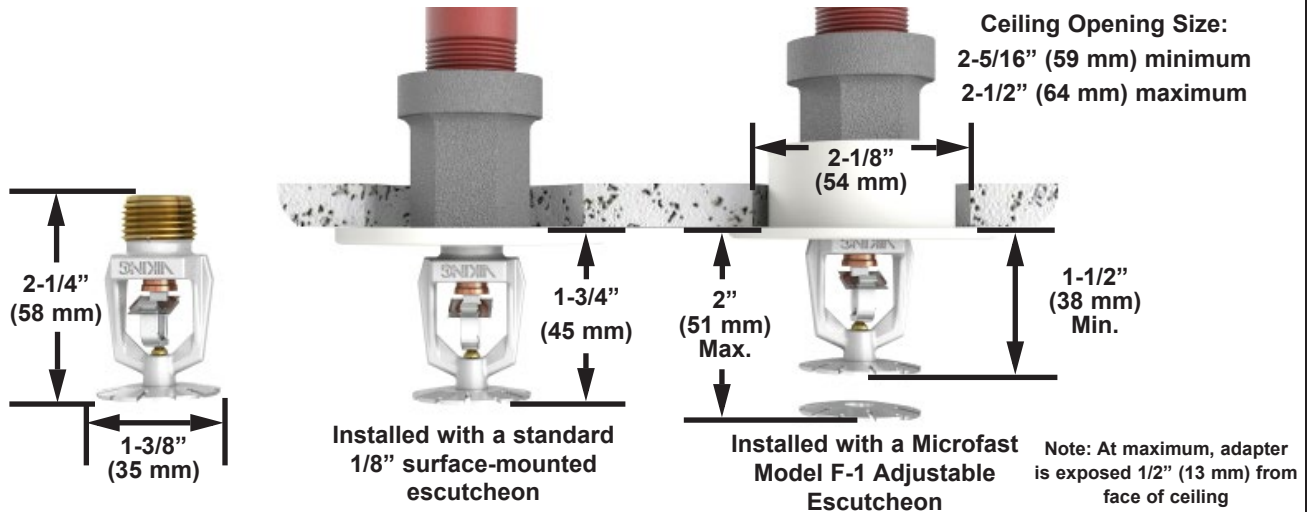


Figure 3: Sprinkler Dimensions with a Standard Escutcheon and the Model F-1 Adjustable Escutcheon

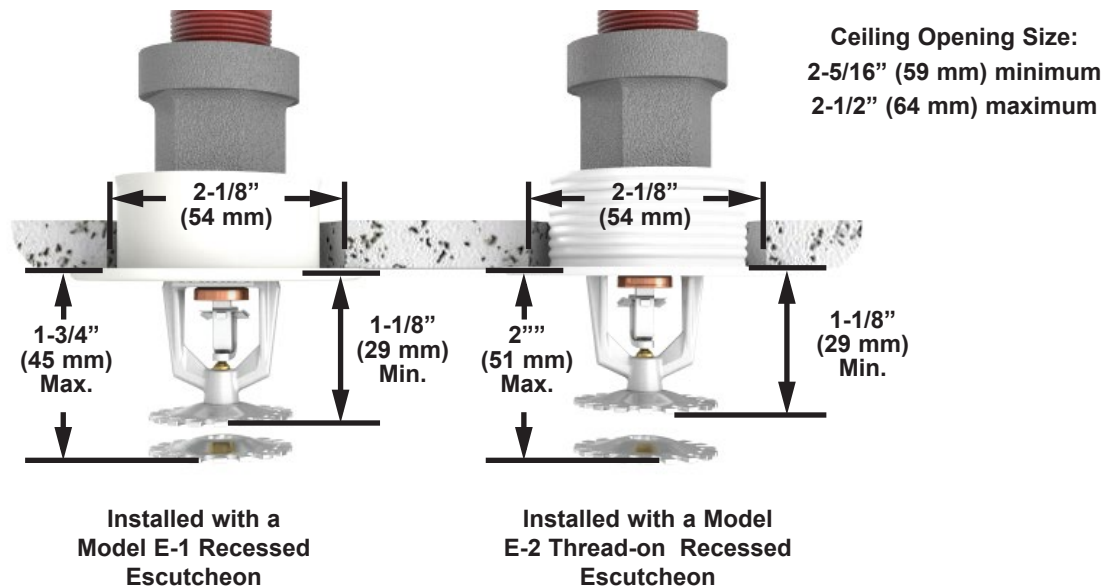


Figure 4: Sprinkler Dimensions with the Model E-1 and E-2 Recessed Escutcheons