



## TECHNICAL DATA

### 36 GALLON & 60 GALLON FOAM HOSE REEL STATIONS

The Viking Corporation, 210 N Industrial Park Drive, Hastings MI 49058

Telephone: 269-945-9501 Technical Services: 877-384-5464 Fax: 269-818-1680 Email: techsvcs@vikingcorp.com

Visit the Viking website for the latest edition of this technical data page.

## 1. DESCRIPTION

The Chemguard Foam Fire Fighting Station is a self contained unit that relies only on water flow and pressure to place the system into operation. It is designed to be installed in a fixed location such as Helidecks, offshore processing, storage or handling areas where it is used to control fires or spills of flammable or combustible liquids. The unit is constructed in such a manner that one person may operate it to its full potential with the speed and effectiveness necessary in an emergency situation when foam is necessary. The 60-Gallon unit holds 60 gallons of foam concentrate, has a 95-gpm in-line eductor prepiped to a fixed mounted continuous flow hose reel containing 100' of 1.5" hard rubber hose and a hand line nozzle with ball shut off. The 36-Gallon units holds 36 gallons of foam concentrate, has a 95 gpm in-line eductor prepiped to 100' of 1.5" UL-19 flat fold hose and a handline nozzle with ball shut off. All that is required to place the unit in operation is to fill the foam concentrate storage tank with the correct type and quantity of foam concentrate and connect a suitable water source to the inlet of the in-line eductor.

### Features

- Nozzle is a non air-aspirating type, which has a better stream and gives a constant flow whether on straight stream or fog patterns
- Galvanized steel hose reel is mounted on top of tank only on 60 gallon units
- Fiberglass hose box is mounted on top of the tank only on 36 gallon units.
- Tank is supplied with ½" drain plug and 4" fill opening on top of tank
- Tank can be refilled during operation of the unit
- In-line eductor pickup tube has manual ball valve that can be closed so that unit can be used with water only
- In-line eductor has variable metering valve 1% - 3% - 6%. Note: Coast Guard approved units for helidecks fixed at 3%
- Brass manifold with full-port ball valves
- Suitable for use with any type foam concentrate
- Available with NPSH or NST threaded hose and nozzles



### ⚠ CAUTION

If the unit is to be used with any of the AR-AFFF type foam concentrates, it is recommended that a thin layer of mineral oil be placed on the surface of the concentrate to minimize evaporation.

## 2. LISTINGS AND APPROVALS

- USCG Approved (Except F15337)

**Table 1: Part Numbers**

Viking Part Number	Chemguard Part Number	Tank Size (Gal)	Foam	Approved for	Hose & Nozzle Thread	Nozzle	Unit Includes
F20669	EF1268001	36	3% AFFF or 3% AR-AFFF	Approved for open deck to replace required Fire Hose Station	NPSH	USCG Approved Nozzle	316 Stainless Steel Tank 100' Fiberglass Hose Box 100' x 1-1/2" UL-19 Flat Fold Fire Hose CE95 NPSH Eductor
F20660	EF10357	60	3% AFFF	Not US Coast Guard Approved	NPSH	SB95P Nozzle	316 Stainless Steel Tank 100' Galvanized Hose Reel 100' x 1-1/2" Hard Rubber Hose Brass By-Pass Manifold CE95 NPSH Eductor
F20661	EF126810101	60	3% AFFF	USCG Approved for protection of helicopter landing pads without refueling facilities on mobile off short drilling units and for use as required Fire Main System Equipment	NPSH	SB95P Nozzle w/ Standard Grip	
F20662	EF126810102	60	3% AFFF		NPSH	SB95P Nozzle w/ Pistol Grip	
F20663	EF126810103	60	3% AFFF		NST	SB95P Nozzle w/ Standard Grip	
F20664	EF126810104	60	3% AFFF		NST	SB95P Nozzle w/ Pistol Grip	

Table continues on next page.



## TECHNICAL DATA

### 36 GALLON & 60 GALLON FOAM HOSE REEL STATIONS

The Viking Corporation, 210 N Industrial Park Drive, Hastings MI 49058  
 Telephone: 269-945-9501 Technical Services: 877-384-5464 Fax: 269-818-1680 Email: techsvcs@vikingcorp.com  
 Visit the Viking website for the latest edition of this technical data page.

Continued from previous page.

**Table 1: Part Numbers**

F20665	EF126810201	60	3% AR-AFFF	USCG Approved for protection of helicopter landing pads without refueling facilities on mobile off short drilling units and for use as required Fire Main System Equipment	NPSH	SB95P Nozzle w/ Standard Grip	316 Stainless Steel Tank 100' Galvanized Hose Reel 100' x 1-1/2" Hard Rubber Hose Brass By-Pass Manifold CE95 NPSH Eductor
F20666	EF126810202	60	3% AR-AFFF		NPSH	SB95P Nozzle w/ Pistol Grip	
F20667	EF126810203	60	3% AR-AFFF		NST	SB95P Nozzle w/ Standard Grip	
F20668	EF126810204	60	3% AR-AFFF		NST	SB95P Nozzle w/ Pistol Grip	

### 3. TECHNICAL DATA

#### Specifications:

Eductor Inlet Flow Rate: 95 gpm @ 200 psi

Nozzle Flow Rate: 95 gpm @ 100 psi

#### Material Standards:

Storage Tank: 316 stainless steel

Hose Reel: Galvanized Steel

#### Ordering Information:

- Unit can be supplied with fiberglass foam concentrate storage tank.
- Other size in-line eductors and nozzle selections available.
- Custom design systems available with tanks in various capacities, two or more in-line eductors and hose reels.

### 4. INSTALLATION

If the unit is to be used with any of the AR-AFFF type foam concentrates, it is recommended that a thin layer of mineral oil be placed on the surface of the concentrate to minimize evaporation.

### 5. INSPECTIONS, TESTS AND MAINTENANCE

#### NOTICE

The owner is responsible for maintaining the fire protection system and devices in proper operating condition. For minimum maintenance and inspection requirements, refer to recognized standards such as those produced by NFPA, LPC, and VdS which describe care and maintenance of sprinkler systems. In addition, the "Authority Having Jurisdiction" may have additional maintenance, testing and inspection requirements which must be followed.

#### ⚠ WARNING

Any system maintenance or testing which involves placing a control valve or detection system out of service may eliminate the Fire Protection of that system. Prior to proceeding, notify all Authorities Having Jurisdiction. Consideration should be given to employment of a Fire Patrol in the affected area.

### 6. AVAILABILITY

Viking Foam Products are available through a network of domestic and international distributors. See the Viking web site for closest distributor or contact The Viking Corporation.

### 7. GUARANTEE

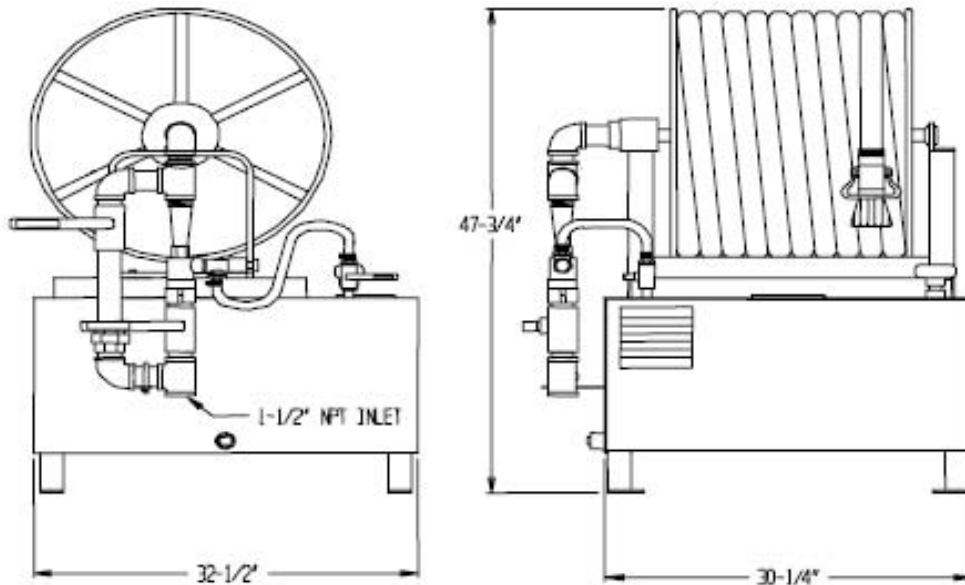
For details of warranty, refer to Viking's current list price schedule or contact Viking directly.



**TECHNICAL DATA**

**36 GALLON & 60 GALLON  
FOAM HOSE REEL STATIONS**

The Viking Corporation, 210 N Industrial Park Drive, Hastings MI 49058  
 Telephone: 269-945-9501 Technical Services: 877-384-5464 Fax: 269-818-1680 Email: techsvcs@vikingcorp.com  
 Visit the Viking website for the latest edition of this technical data page.



**Figure 1: Dimensions**

<b>Table 2: Weight</b>			
	<b>Dry Weight</b>	<b>Shipping Weight</b>	<b>Weight with Foam Concentrate</b>
<b>36 Gallon Unit</b>	120 lbs (54.4 kg)	170 lbs. (77.1 kg)	443 lbs. (200.9 kg)
<b>60 Gallon Unit</b>	385 lbs (175 kg)	435 lbs. (197.7kg)	890 lbs. (404.5 kg)