



TECHNICAL DATA

STANDARD/QR EXTENDED COVERAGE LIGHT HAZARD ELO FUSIBLE ELEMENT PENDENT SPRINKLER VK617

The Viking Corporation, 210 N Industrial Park Drive, Hastings MI 49058

Telephone: 269-945-9501 Technical Services: 877-384-5464 Fax: 269-818-1680 Email: techsvcs@vikingcorp.com

Visit the Viking website for the latest edition of this technical data page www.vikinggroupinc.com.

1. DESCRIPTION

Viking Standard/QREC Light Hazard ELO Fusible Element Pendent Sprinkler VK617 is a thermosensitive spray sprinkler available in several different finishes and temperature ratings to meet varying design requirements. The fusible operating element and special deflector characteristics meet the challenges of quick response extended coverage standards. The sprinkler has both quick response and standard response listings as indicated in the Approval Charts. The special Polyester coating can be used in decorative applications where colors are desired.

2. LISTINGS AND APPROVALS



cULus Listed: Category VNIV



FM Approved: Classes 2020 and 2022

Refer to Approval Chart 1 and Design Criteria for cULus Listing requirements, and refer to Approval Chart 2 and Design Criteria for FM Approval requirements that must be followed.

3. TECHNICAL DATA

Specifications:

Available since 2007.

Minimum Operating Pressure: Refer to the Approval Chart.

Maximum Working Pressure: 175 psi (12 Bar).

Factory tested hydrostatically to 500 psi (34.5 bar).

Factory tested hydrostatically to 500 psi (34.5 bar).

Thread size: 3/4" (20 mm) NPT

Nominal K-Factor: 11.2 U.S. (161.3 metric†)

† Metric K-factor measurement shown is in Bar. When pressure is measured in kPa, divide the metric K-factor shown by 10.0.

Overall Length: 2-5/16" (59 mm)

Material Standards:

Sprinkler Frame: Brass UNS-C84400

Deflector: Phosphor Bronze UNS-C51000

Fusible Element Assembly: Nickel Alloy

Trigger and Support: Stainless Steel UNS-S31600

Belleville Spring Sealing Assembly: Nickel Alloy, coated on both sides with PTFE Tape

Seat and Insert Assembly: Copper UNS-C11000 and Stainless Steel UNS-S30400

Screw: Brass UNS-C36000

For PTFE Coated Sprinklers: Belleville Spring-Exposed, Screw-Nickel Plated, Pip Cap-PTFE Coated

For Polyester Coated Sprinklers: Belleville Spring-Exposed

Ordering Information: (Also refer to the current Viking price list.)

Order Standard/QREC Light Hazard ELO Fusible Element Pendent Sprinkler VK617 by first adding the appropriate suffix for the sprinkler finish and then the appropriate suffix for the temperature rating to the sprinkler base part number.

Finish Suffix: Brass = A, Chrome = F, White Polyester = M-/W, Black Polyester = M-/B, and Black PTFE = N

Temperature Suffix: 165 °F (74 °C) = C and 205 °F (96 °C) = E

For example, sprinkler VK617 with a Brass finish and a 165 °F (74 °C) temperature rating = Part No. 14141AC

Available Finishes And Temperature Ratings: Refer to Table 1.

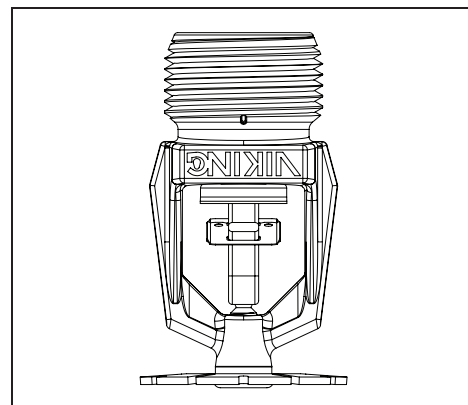
Accessories: (Also refer to the Viking website.)

Sprinkler Wrenches:

A. Standard Wrench: Part No. 05118CW/B (available since 1981)

B. Wrench for recessed pendent sprinkler: Part No. 11663W/B** (available since 2001)

**A 1/2" ratchet is required (not available from Viking).



For Light Hazard Occupancies Only

NOTE: As of May 2018 all logos have been removed from the wrench boss.



TECHNICAL DATA

**STANDARD/QR EXTENDED
COVERAGE LIGHT HAZARD
ELO FUSIBLE ELEMENT
PENDENT SPRINKLER VK617**

The Viking Corporation, 210 N Industrial Park Drive, Hastings MI 49058

Telephone: 269-945-9501 Technical Services: 877-384-5464 Fax: 269-818-1680 Email: techsvcs@vikingcorp.com

Visit the Viking website for the latest edition of this technical data page www.vikinggroupinc.com.

Sprinkler Cabinets:

- A. Six-head capacity: Part No. 01724A (available since 1971)
- B. Twelve-head capacity: Part No. 01725A (available since 1971)

4. INSTALLATION

Refer to appropriate NFPA Installation Standards.

5. OPERATION

During fire conditions, the heat-sensitive fusible element assembly disengages, releasing the seat and spring assemblies to open the waterway. Water flowing through the sprinkler orifice strikes the sprinkler deflector, forming a uniform spray pattern to extinguish or control the fire.

6. INSPECTIONS, TESTS AND MAINTENANCE

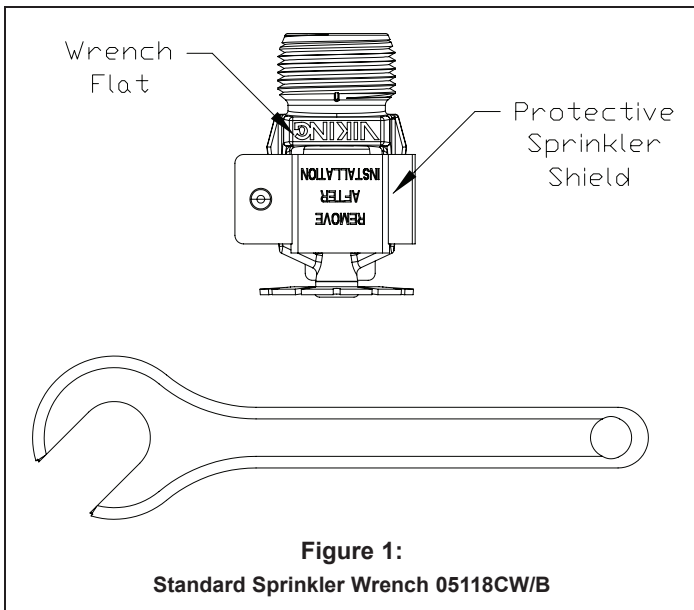
Refer to NFPA 25 for Inspection, Testing and Maintenance requirements.

7. AVAILABILITY

Viking Sprinkler VK617 is available through a network of domestic and international distributors. See The Viking Corporation web site for the closest distributor or contact The Viking Corporation.

8. GUARANTEE

For details of warranty, refer to Viking's current list price schedule or contact Viking directly.





TECHNICAL DATA

STANDARD/QR EXTENDED
 COVERAGE LIGHT HAZARD
 ELO FUSIBLE ELEMENT
 PENDENT SPRINKLER VK617

The Viking Corporation, 210 N Industrial Park Drive, Hastings MI 49058
 Telephone: 269-945-9501 Technical Services: 877-384-5464 Fax: 269-818-1680 Email: techsvcs@vikingcorp.com
 Visit the Viking website for the latest edition of this technical data page www.vikinggroupinc.com.

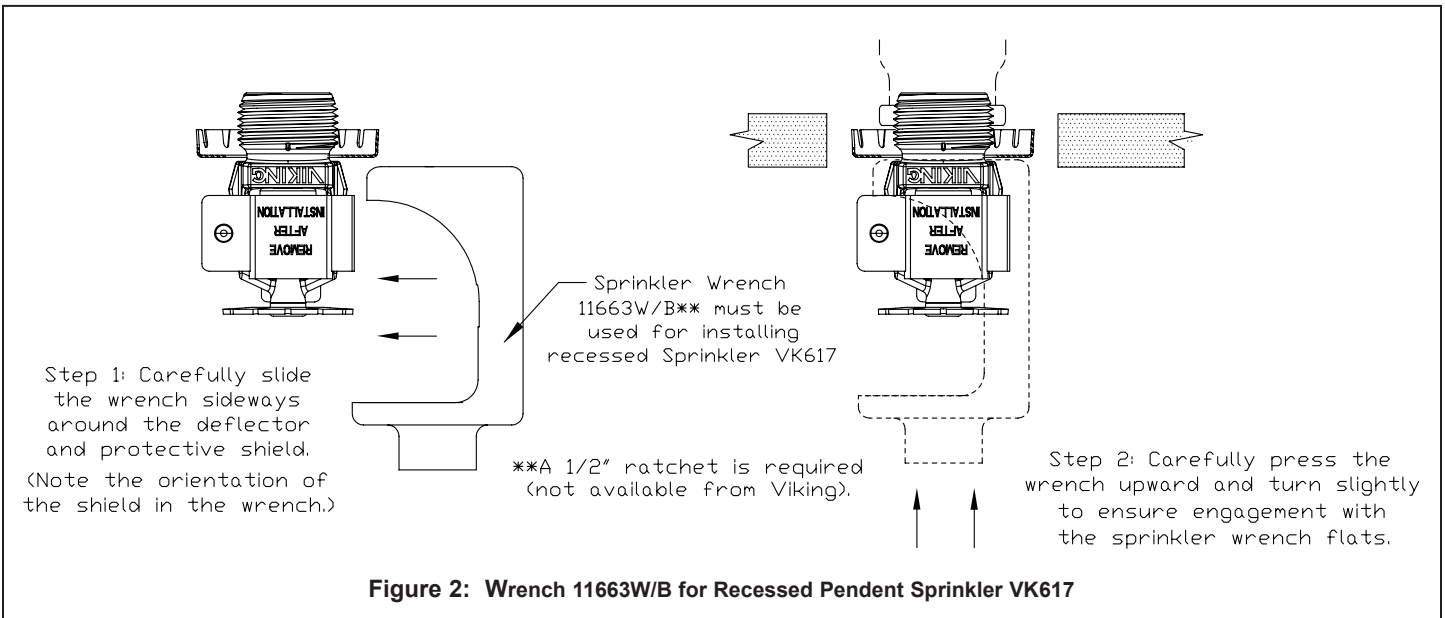
TABLE 1: AVAILABLE SPRINKLER TEMPERATURE RATINGS AND FINISHES

Sprinkler Temperature Classification	Sprinkler Nominal Temperature Rating ¹	Maximum Ambient Ceiling Temperature ²	Frame Paint Color
Ordinary	165 °F (74 °C)	100 °F (38 °C)	None
Intermediate	205 °F (96 °C)	150 °F (65 °C)	White

Sprinkler Finishes: Brass, Chrome, White Polyester³, Black Polyester³, and Black PTFE³

Footnotes

- ¹ Decorative sprinklers may not be color coded. The temperature rating is stamped on the deflector.
- ² Based on NFPA-13. Other limits may apply, depending on fire loading, sprinkler location, and other requirements of the Authority Having Jurisdiction. Refer to specific installation standards.
- ³ For automatic sprinklers, the coatings indicated are applied to the exposed exterior surfaces only. Note that the spring is exposed on sprinklers with Polyester and PTFE coatings. For PTFE coated open sprinklers only, the waterway is coated.





TECHNICAL DATA

STANDARD/QR EXTENDED COVERAGE LIGHT HAZARD ELO FUSIBLE ELEMENT PENDENT SPRINKLER VK617

The Viking Corporation, 210 N Industrial Park Drive, Hastings MI 49058

Telephone: 269-945-9501 Technical Services: 877-384-5464 Fax: 269-818-1680 Email: techsvcs@vikingcorp.com

Visit the Viking website for the latest edition of this technical data page www.vikinggroupinc.com.

Sprinkler Base Part Number ¹	SIN	NPT Thread Size		Nominal K-Factor		Maximum Water Working Pressure	Overall Length	
		Inches	mm	U.S.	metric ²		inches	mm
14141	VK617	3/4	20	11.2	161.3	175 psi (12 Bar)	2-5/16	59

Approval Chart 1 (UL)

Standard Response/QREC ELO Pendent Sprinkler VK617 For Light Hazard Occupancies Only

KEY	
Temperature	Temperature
Finish	Finish
A1X	Escutcheon (if applicable)

Maximum Sprinkler Spacing ⁴ (Length x Width)	Maximum Area per Sprinkler	Minimum Water Supply Requirements ⁴	Listings and Approvals ³ (Refer also to Design Criteria below.)	
			cULus ⁵	NYC

Standard Response⁷

12 ft. x 12 ft. (3.7 m x 3.7 m)	144 ft ² (13.4 m ²)	30 gpm @ 7.2 psi (113.6 L/min @ .50 Bar)	A1Y	See Footnote 6.
14 ft. x 14 ft. (4.3 m x 4.3 m)	196 ft ² (18.2 m ²)	30 gpm @ 7.2 psi (113.6 L/min @ .50 Bar)	A1Y	See Footnote 6.

Quick Response

16 ft. x 16 ft. (4.9 m x 4.9 m)	256 ft ² (23.8 m ²)	30 gpm @ 7.2 psi (113.6 L/min @ .50 Bar)	C1Y, B1X	See Footnote 6.
18 ft. x 18 ft. (5.5 m x 5.5 m)	324 ft ² (30.1 m ²)	33 gpm @ 8.7 psi (124.9 L/min @ .60 Bar)	C1Y	See Footnote 6.

Approved Temperature Ratings	Approved Finishes	Approved Escutcheons
A - 165 °F (74 °C) and 205 °F (96 °C) B - 205 °F (96 °C) C - 165 °F (74 °C)	1 - Brass, Chrome, White Polyester, Black Polyester, and Black PTFE	X - Standard surface-mounted escutcheons or the Microfast [®] Model F-1 Adjustable Escutcheon Y - Standard surface-mounted escutcheons or the Microfast [®] Model F-1 Adjustable Escutcheon, or recessed with the Micromatic [®] Model E-1, E-2, or E-3 Recessed Escutcheon

Footnotes

- ¹ Part number shown is the base part number. For complete part number, refer to current Viking price list schedule.
- ² Metric K-factor measurement shown is when pressure is measured in Bar. When pressure is measured in kPa, divide the metric K-factor shown by 10.0.
- ³ This chart shows listings and approvals available at time of printing. Other approvals may be in process. Check with the manufacturer for any additional approvals.
- ⁴ For areas of coverage smaller than shown, use the "Minimum Water Supply Requirement" for the next larger area listed. Flows and pressures listed are per sprinkler.
- ⁵ cULus Listed for use in the U.S. and Canada for Light Hazard occupancies with smooth, flat, horizontal ceilings only.
- ⁶ Meets New York City requirements, effective July 1, 2008.
- ⁷ Listings are limited to Light Hazard Occupancies where allowed by the installation standards being applied.

DESIGN CRITERIA - UL

(Also refer to Approval Chart 1 above.)

cULus Listing Requirements:

Standard/QREC Light Hazard ELO Fusible Element Pendent Sprinkler VK617 is cULus Listed as indicated in Approval Chart 1 for installation in accordance with the latest edition of NFPA 13 for extended coverage pendent spray sprinklers:

- Limited to Light Hazard occupancies, where allowed by the installation standards being applied, with smooth, flat, horizontal ceilings only.
- Minimum spacing allowed is 8 ft. (2.4 m) unless baffles are installed in accordance with NFPA 13.
- Minimum distance from walls is 4 in. (102 mm).
- Maximum distance from walls shall be no more than one-half of the allowable distance between sprinklers. The distance shall be measured perpendicular to the wall.
- The sprinkler installation and obstruction rules contained in NFPA 13 for extended coverage pendent spray sprinklers must be followed.

IMPORTANT: Always refer to Bulletin Form No. F_091699 - Care and Handling of Sprinklers. Also refer to Form No. F_080614 for general care, installation, and maintenance information. Viking sprinklers are to be installed in accordance with the latest edition of Viking technical data, the appropriate standards of NFPA, FM Global, LPCB, APSAD, VdS or other similar organizations, and also with the provisions of governmental codes, ordinances, and standards, whenever applicable.



TECHNICAL DATA

STANDARD/QR EXTENDED COVERAGE LIGHT HAZARD ELO FUSIBLE ELEMENT PENDENT SPRINKLER VK617

The Viking Corporation, 210 N Industrial Park Drive, Hastings MI 49058

Telephone: 269-945-9501 Technical Services: 877-384-5464 Fax: 269-818-1680 Email: techsvcs@vikingcorp.com

Visit the Viking website for the latest edition of this technical data page www.vikinggroupinc.com.

Sprinkler Base Part Number ¹	SIN	NPT Thread Size		Nominal K-Factor		Maximum Water Working Pressure	Overall Length	
		Inches	mm	U.S.	metric ²		Inches	mm
14141	VK617	3/4	20	11.2	161.3	175 psi (12 Bar)	2-5/16	59

Approval Chart 2 (FM)

Quick Response Extended Coverage ELO Pendent Sprinkler VK617

	KEY
Temperature	
Finish	
A1X ← Escutcheon (if applicable)	

Maximum Sprinkler Spacing ⁴ (Length x Width)	Maximum Area per Sprinkler	Minimum Water Supply Requirements ⁴	FM Approvals ³ (Refer also to Design Criteria below.)
16 ft. x 16 ft. (4.9 m x 4.9 m)	256 ft ² (23.8 m ²)	30 gpm @ 7.2 psi (113.6 L/min @ 0.50 Bar)	A1X
18 ft. x 18 ft. (5.5 m x 5.5 m)	324 ft ² (30.1 m ²)	33 gpm @ 8.7 psi (124.9 L/min @ 0.60 Bar)	A1X

Approved Escutcheons

Approved Temperature Rating
A - 165 °F (74 °C)

Approved Finishes
1 - Brass, Chrome, White Polyester,
and Black Polyester

X - Standard surface-mounted escutcheons or the Microfast® Model F-1 Adjustable Escutcheon, or recessed with the Micromatic® Model E-1, E-2, or E-3 Recessed Escutcheon

Footnotes

¹ Part number shown is the base part number. For complete part number, refer to current Viking price list schedule.

² Metric K-factor measurement shown is when pressure is measured in Bar. When pressure is measured in kPa, divide the metric K-factor shown by 10.0.

³ This chart shows listings and approvals available at time of printing. Other approvals may be in process. Check with the manufacturer for any additional approvals.

⁴ For areas of coverage smaller than shown, use the "Minimum Water Supply Requirement" for the next larger area listed. Flows and pressures listed are per sprinkler.

DESIGN CRITERIA - FM

(Also refer to Approval Chart 2 above.)

FM Approval Requirements:

Sprinkler VK617 is FM Approved as a quick response **Non-Storage** extended coverage pendent sprinkler as indicated in the FM Approval Guide. For specific application and installation requirements, reference the latest applicable FM Loss Prevention Data Sheets (including Data Sheet 2-0). FM Global Loss Prevention Data Sheets contain guidelines relating to, but not limited to: minimum water supply requirements, hydraulic design, ceiling slope and obstructions, minimum and maximum allowable spacing, and deflector distance below the ceiling.

NOTE: The FM installation guidelines may differ from cULus and/or NFPA criteria.

IMPORTANT: Always refer to Bulletin Form No. F_091699 - Care and Handling of Sprinklers. Also refer to Form No. F_080614 for general care, installation, and maintenance information. Viking sprinklers are to be installed in accordance with the latest edition of Viking technical data, the appropriate standards of NFPA, FM Global, LPCB, APSAD, VdS or other similar organizations, and also with the provisions of governmental codes, ordinances, and standards, whenever applicable.



TECHNICAL DATA

STANDARD/QR EXTENDED
COVERAGE LIGHT HAZARD
ELO FUSIBLE ELEMENT
PENDENT SPRINKLER VK617

The Viking Corporation, 210 N Industrial Park Drive, Hastings MI 49058
 Telephone: 269-945-9501 Technical Services: 877-384-5464 Fax: 269-818-1680 Email: techsvcs@vikingcorp.com
 Visit the Viking website for the latest edition of this technical data page www.vikinggroupinc.com.

