

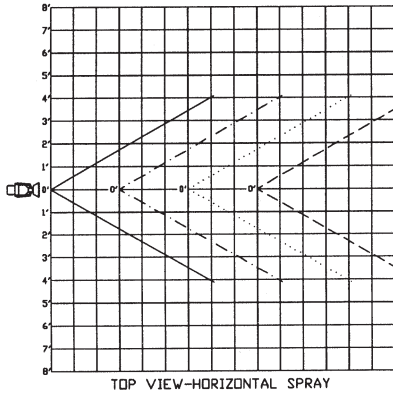


TECHNICAL DATA

FRAME STYLE
SPRAY NOZZLE
WATER DISTRIBUTION PATTERNS

The Viking Corporation, 210 N Industrial Park Drive, Hastings MI 49058

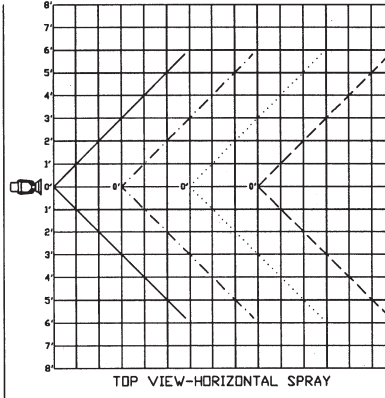
Telephone: 269-945-9501 Technical Services: 877-384-5464 Fax: 269-818-1680 Email: techsvcs@vikingcorp.com



1/2" (15 mm) Orifice
Base Part No: 16948*
Angle: 60°
Thread Size: 1/2" NPT
K-Factor: 5.6 U.S.
 (80.6 metric**)

LEGEND
 10 P.S.I. - - - - -
 20 P.S.I. ······
 30 P.S.I. - · - · -
 50 P.S.I. _____

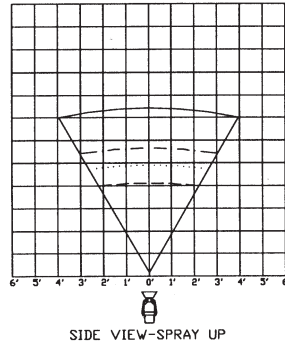
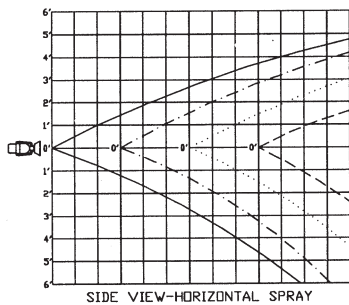
TOP VIEW-HORIZONTAL SPRAY



1/2" (15 mm) Orifice
Base Part No: 16949*
Angle: 90°
Thread Size: 1/2" NPT
K-Factor: 5.6 U.S.
 (80.6 metric**)

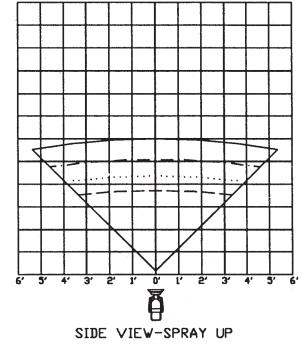
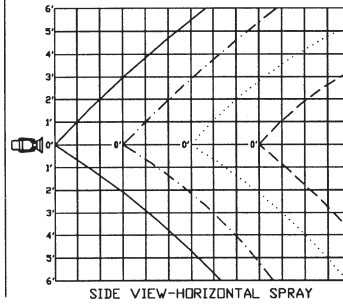
LEGEND
 10 P.S.I. - - - - -
 20 P.S.I. ······
 30 P.S.I. - · - · -
 50 P.S.I. _____

TOP VIEW-HORIZONTAL SPRAY



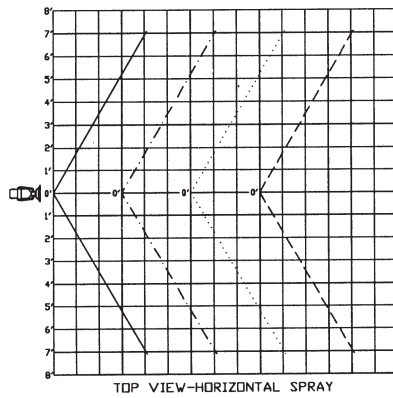
SIDE VIEW-HORIZONTAL SPRAY

SIDE VIEW-SPRAY UP



SIDE VIEW-HORIZONTAL SPRAY

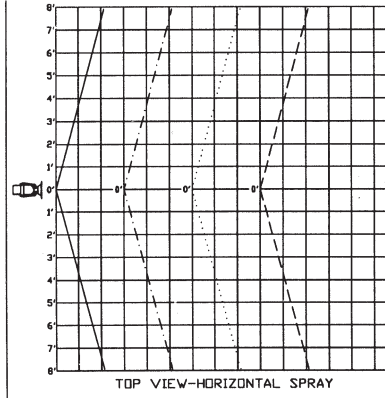
SIDE VIEW-SPRAY UP



1/2" (15 mm) Orifice
Base Part No: 16950*
Angle: 120°
Thread Size: 1/2" NPT
K-Factor: 5.6 U.S.
 (80.6 metric**)

LEGEND
 10 P.S.I. - - - - -
 20 P.S.I. ······
 30 P.S.I. - · - · -
 50 P.S.I. _____

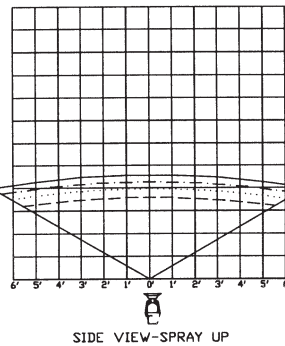
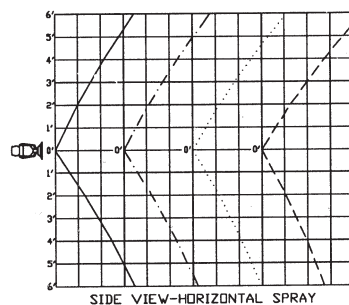
TOP VIEW-HORIZONTAL SPRAY



1/2" (15 mm) Orifice
Base Part No: 16951*
Angle: 150°
Thread Size: 1/2" NPT
K-Factor: 5.6 U.S.
 (80.6 metric**)

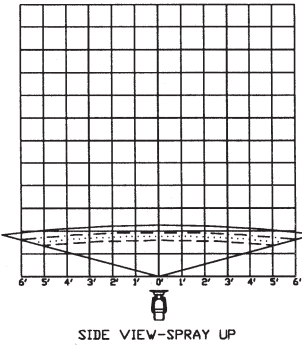
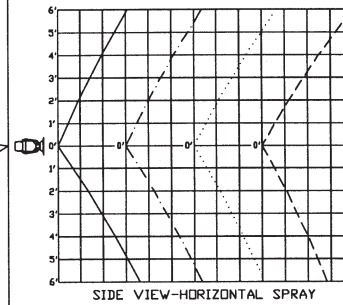
LEGEND
 10 P.S.I. - - - - -
 20 P.S.I. ······
 30 P.S.I. - · - · -
 50 P.S.I. _____

TOP VIEW-HORIZONTAL SPRAY



SIDE VIEW-HORIZONTAL SPRAY

SIDE VIEW-SPRAY UP



SIDE VIEW-HORIZONTAL SPRAY

SIDE VIEW-SPRAY UP

Scale: Each square equals one square foot.

* Part number shown is the base part number. For complete part number, refer to current Viking price list schedule.

**Metric K-factor measurement shown is when pressure is measured in Bar. When pressure is measured in kPa, divide the metric K-factor shown by 10.0.

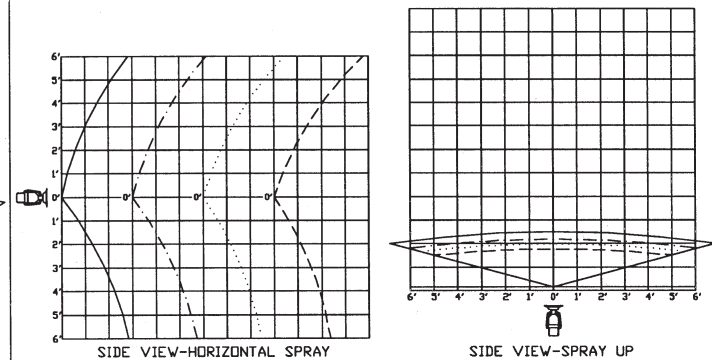
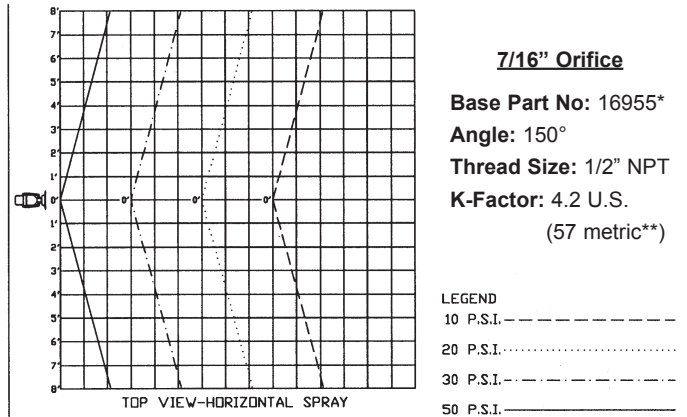
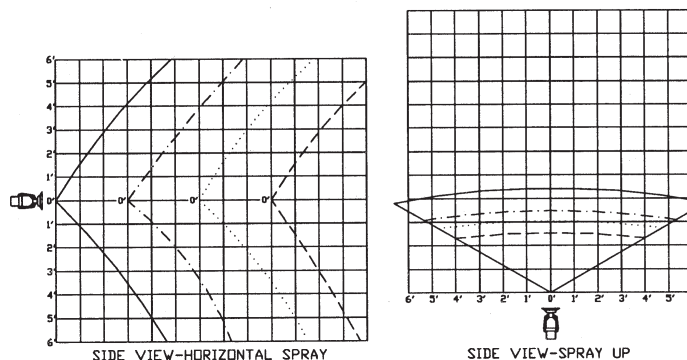
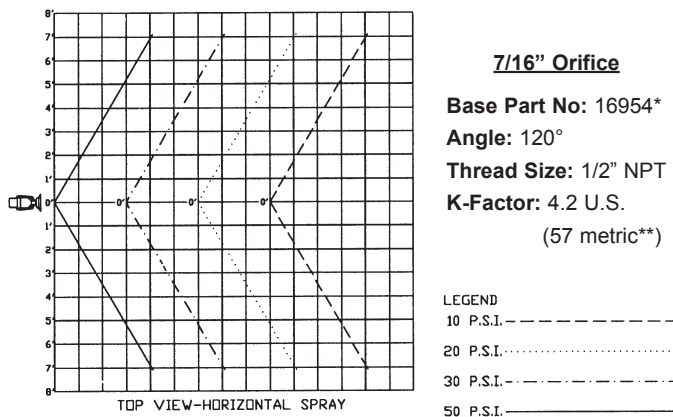
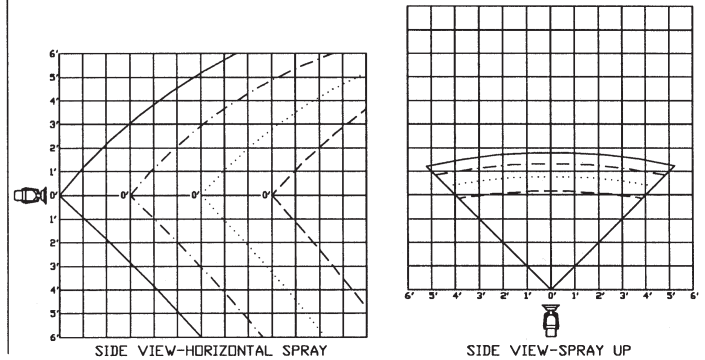
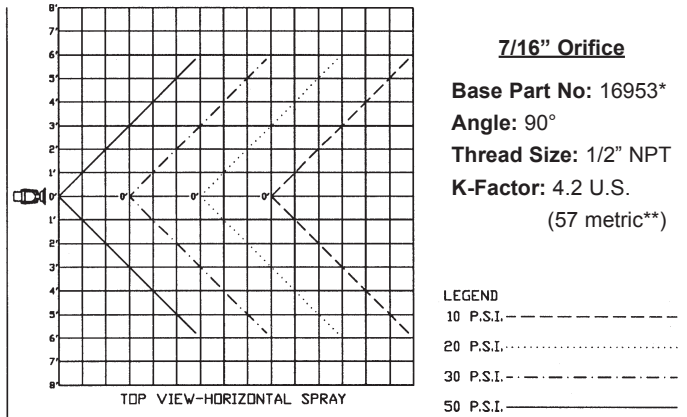
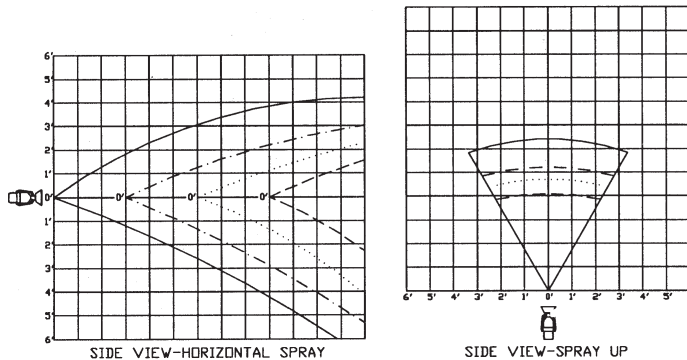
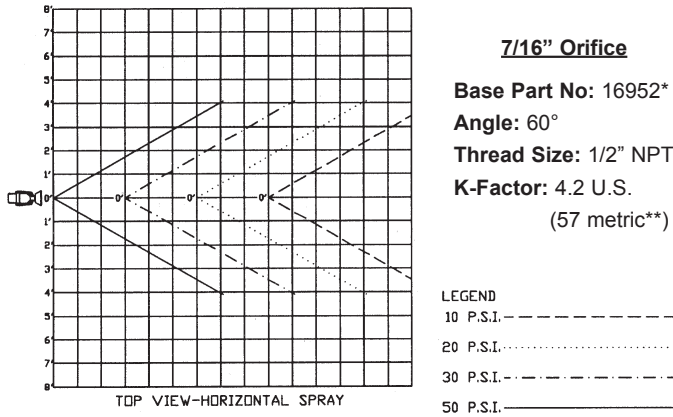


TECHNICAL DATA

FRAME STYLE
SPRAY NOZZLE
WATER DISTRIBUTION PATTERNS

The Viking Corporation, 210 N Industrial Park Drive, Hastings MI 49058

Telephone: 269-945-9501 Technical Services: 877-384-5464 Fax: 269-818-1680 Email: techsvcs@vikingcorp.com



Scale: Each square equals one square foot.

* Part number shown is the base part number. For complete part number, refer to current Viking price list schedule.

**Metric K-factor measurement shown is when pressure is measured in Bar. When pressure is measured in kPa, divide the metric K-factor shown by 10.0.

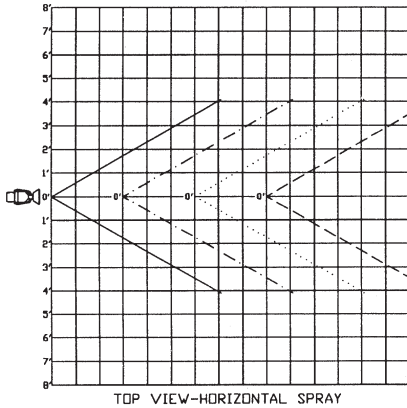


TECHNICAL DATA

FRAME STYLE
SPRAY NOZZLE
WATER DISTRIBUTION PATTERNS

The Viking Corporation, 210 N Industrial Park Drive, Hastings MI 49058

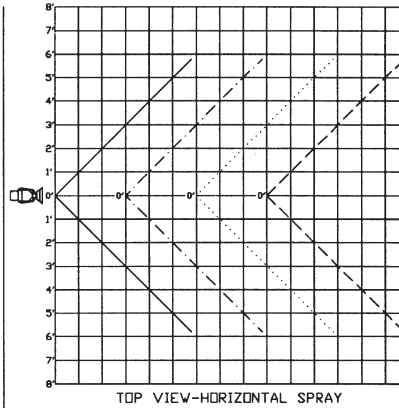
Telephone: 269-945-9501 Technical Services: 877-384-5464 Fax: 269-818-1680 Email: techsvcs@vikingcorp.com



3/8" (10 mm) Orifice
Base Part No: 16956*
Angle: 60°
Thread Size: 1/2" NPT
K-Factor: 2.8 U.S.
 (40.3 metric**)

LEGEND
 10 P.S.I. - - - - -
 20 P.S.I. ······
 30 P.S.I. - · - · -
 50 P.S.I. _____

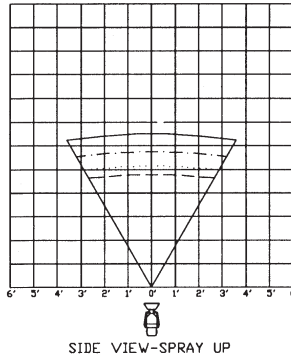
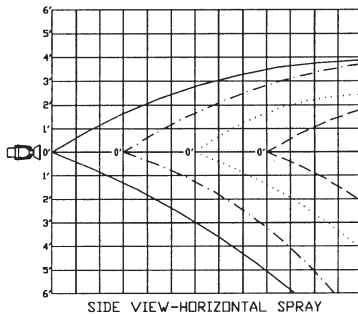
TOP VIEW-HORIZONTAL SPRAY



3/8" (10 mm) Orifice
Base Part No: 16957*
Angle: 90°
Thread Size: 1/2" NPT
K-Factor: 2.8 U.S.
 (40.3 metric**)

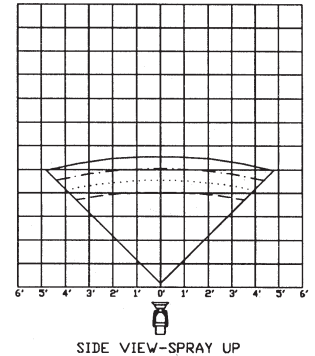
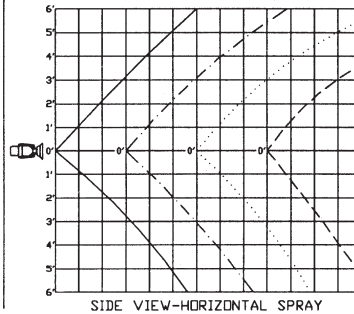
LEGEND
 10 P.S.I. - - - - -
 20 P.S.I. ······
 30 P.S.I. - · - · -
 50 P.S.I. _____

TOP VIEW-HORIZONTAL SPRAY



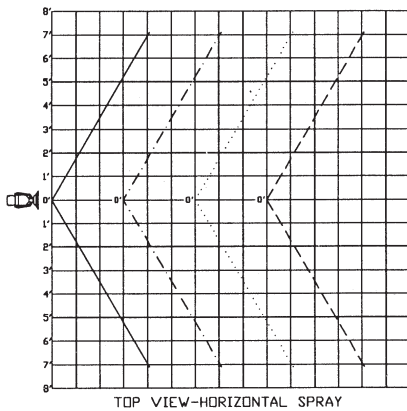
SIDE VIEW-HORIZONTAL SPRAY

SIDE VIEW-SPRAY UP



SIDE VIEW-HORIZONTAL SPRAY

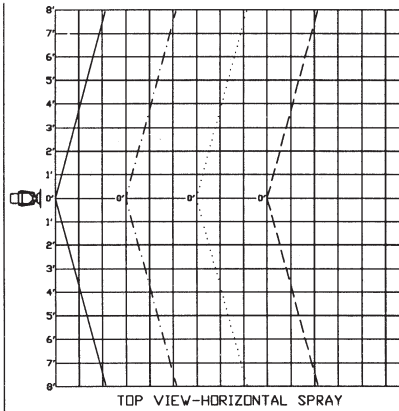
SIDE VIEW-SPRAY UP



3/8" (10 mm) Orifice
Base Part No: 16958*
Angle: 120°
Thread Size: 1/2" NPT
K-Factor: 2.8 U.S.
 (40.3 metric**)

LEGEND
 10 P.S.I. - - - - -
 20 P.S.I. ······
 30 P.S.I. - · - · -
 50 P.S.I. _____

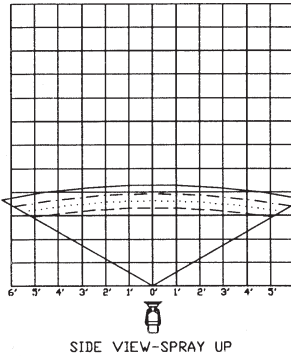
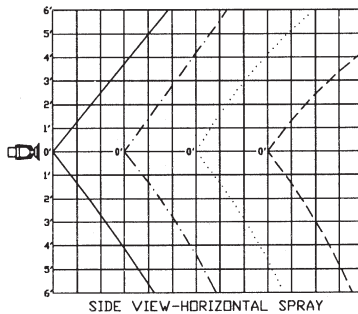
TOP VIEW-HORIZONTAL SPRAY



3/8" (10 mm) Orifice
Base Part No: 16959*
Angle: 150°
Thread Size: 1/2" NPT
K-Factor: 2.8 U.S.
 (40.3 metric**)

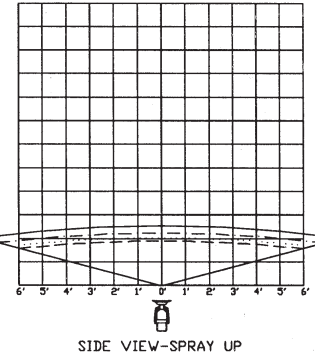
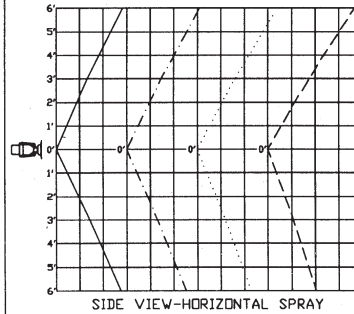
LEGEND
 10 P.S.I. - - - - -
 20 P.S.I. ······
 30 P.S.I. - · - · -
 50 P.S.I. _____

TOP VIEW-HORIZONTAL SPRAY



SIDE VIEW-HORIZONTAL SPRAY

SIDE VIEW-SPRAY UP



SIDE VIEW-HORIZONTAL SPRAY

SIDE VIEW-SPRAY UP

Scale: Each square equals one square foot.

* Part number shown is the base part number. For complete part number, refer to current Viking price list schedule.

**Metric K-factor measurement shown is when pressure is measured in Bar. When pressure is measured in kPa, divide the metric K-factor shown by 10.0.

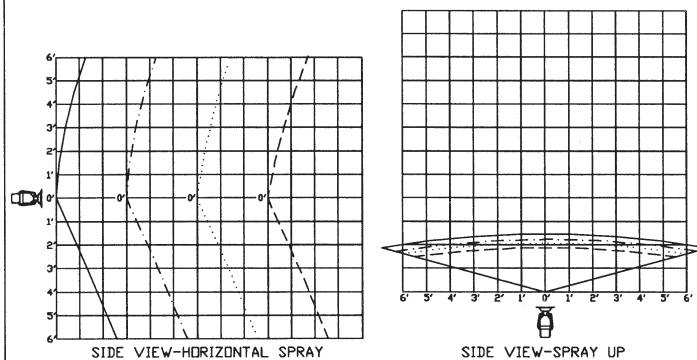
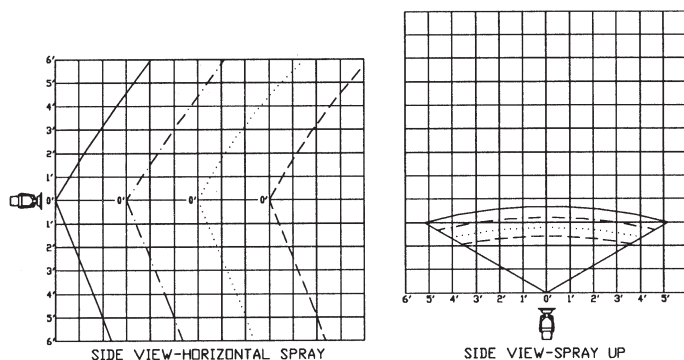
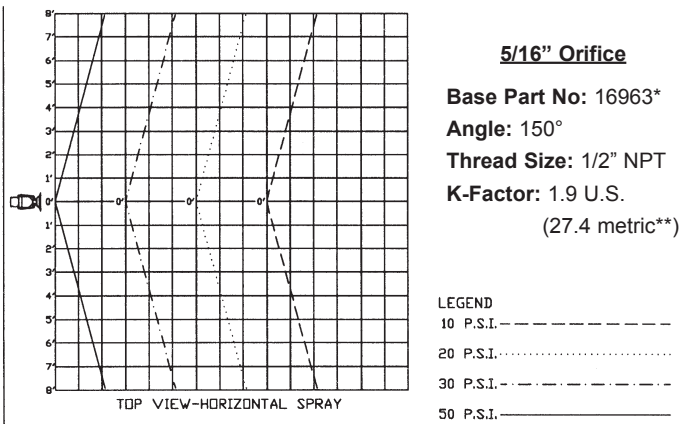
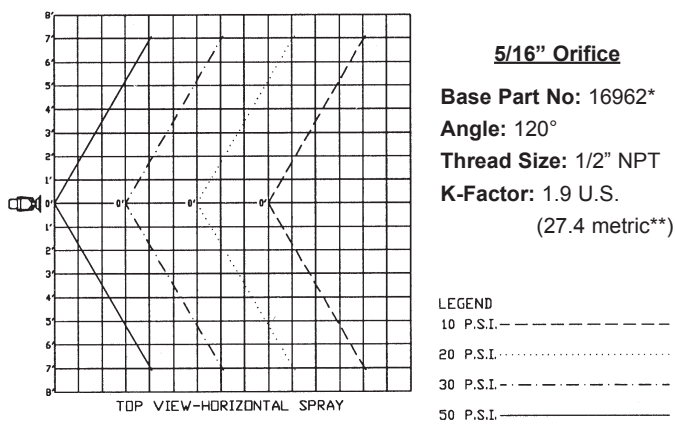
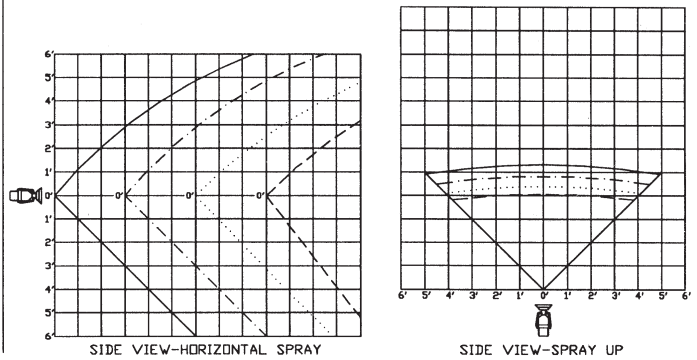
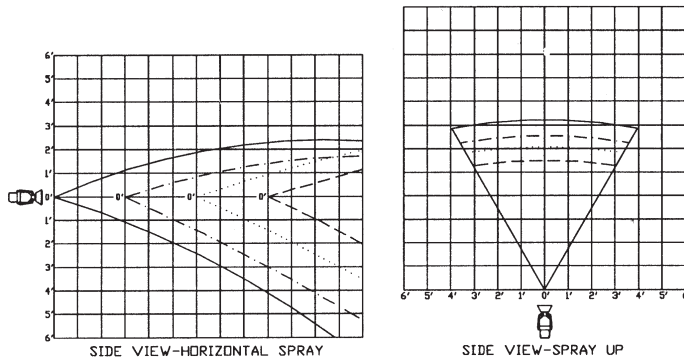
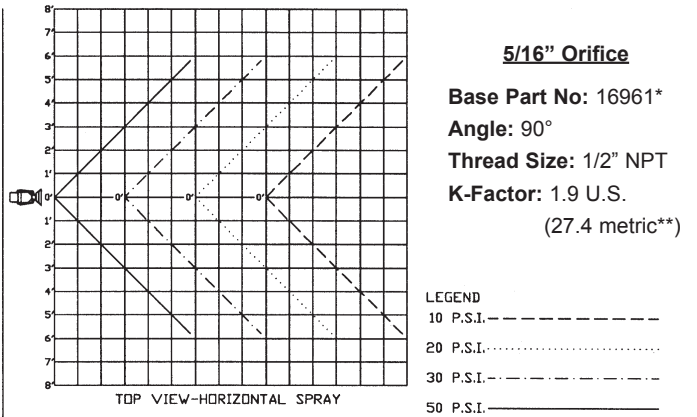
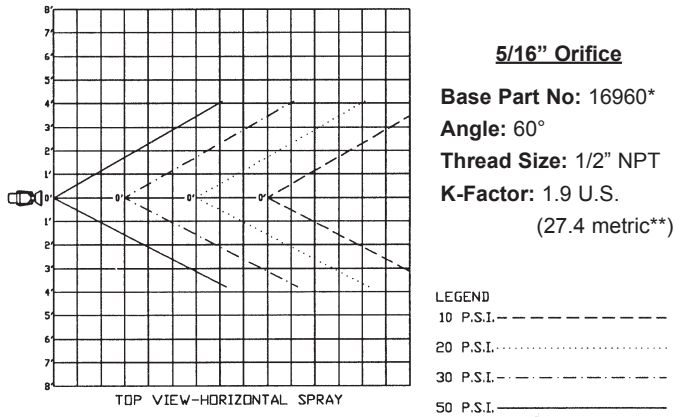


TECHNICAL DATA

FRAME STYLE
SPRAY NOZZLE
WATER DISTRIBUTION PATTERNS

The Viking Corporation, 210 N Industrial Park Drive, Hastings MI 49058

Telephone: 269-945-9501 Technical Services: 877-384-5464 Fax: 269-818-1680 Email: techsvcs@vikingcorp.com



Scale: Each square equals one square foot.

* Part number shown is the base part number. For complete part number, refer to current Viking price list schedule.

**Metric K-factor measurement shown is when pressure is measured in Bar. When pressure is measured in kPa, divide the metric K-factor shown by 10.0.

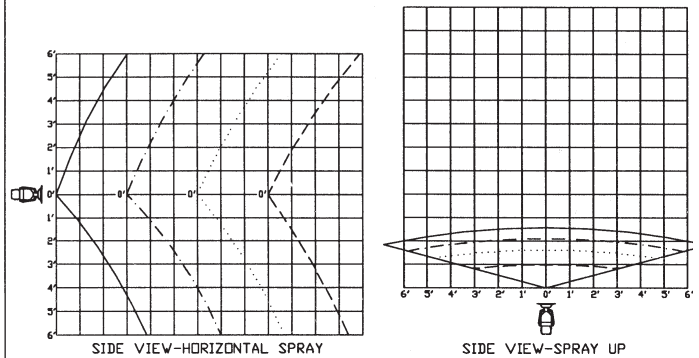
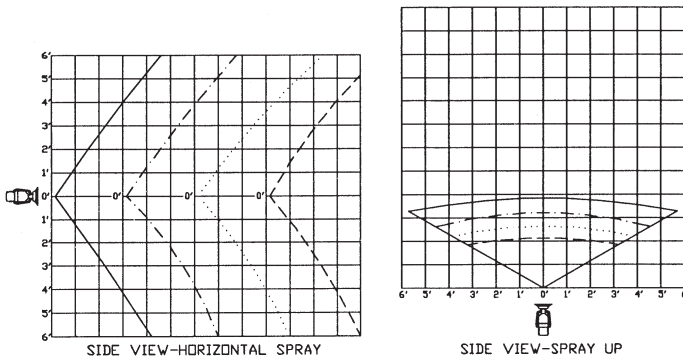
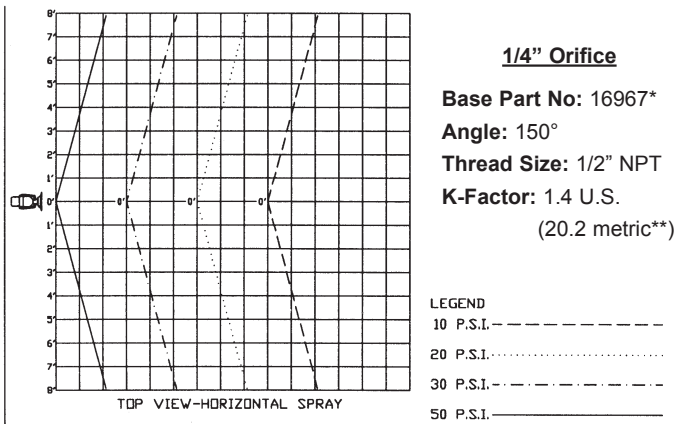
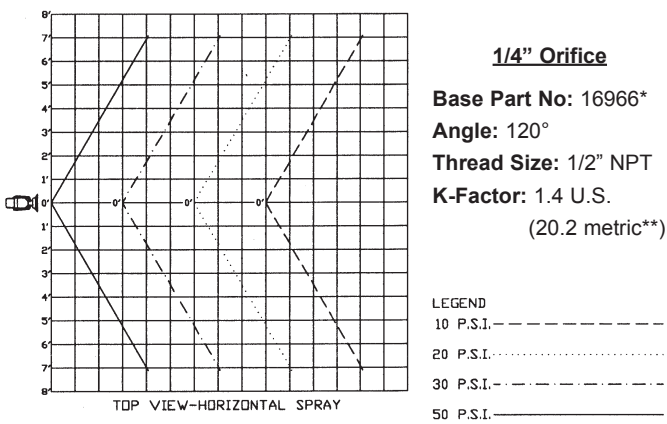
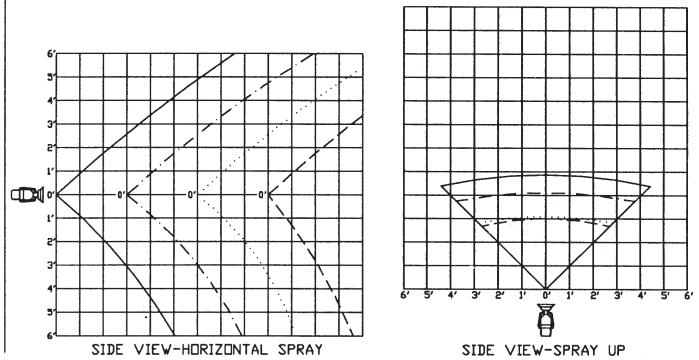
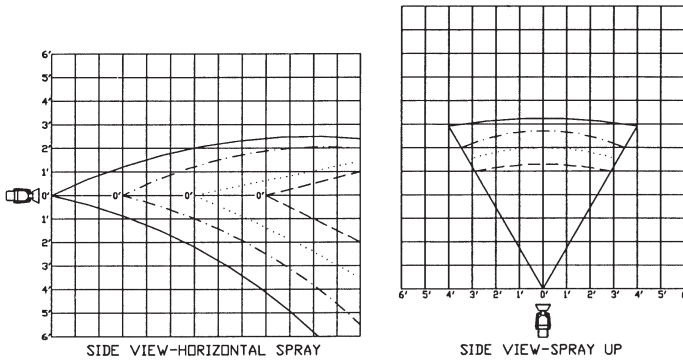
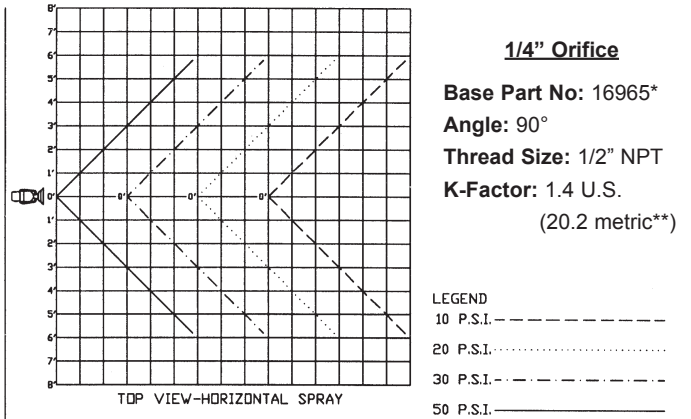
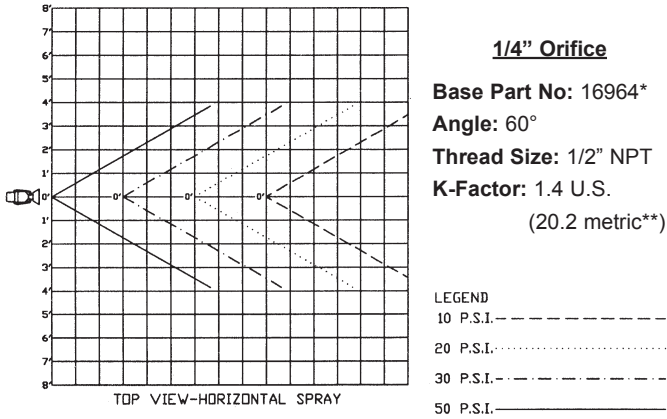


TECHNICAL DATA

FRAME STYLE
SPRAY NOZZLE
WATER DISTRIBUTION PATTERNS

The Viking Corporation, 210 N Industrial Park Drive, Hastings MI 49058

Telephone: 269-945-9501 Technical Services: 877-384-5464 Fax: 269-818-1680 Email: techsvcs@vikingcorp.com



Scale: Each square equals one square foot.

* Part number shown is the base part number. For complete part number, refer to current Viking price list schedule.

**Metric K-factor measurement shown is when pressure is measured in Bar. When pressure is measured in kPa, divide the metric K-factor shown by 10.0.

**THIS PAGE
INTENTIONALLY
LEFT BLANK**