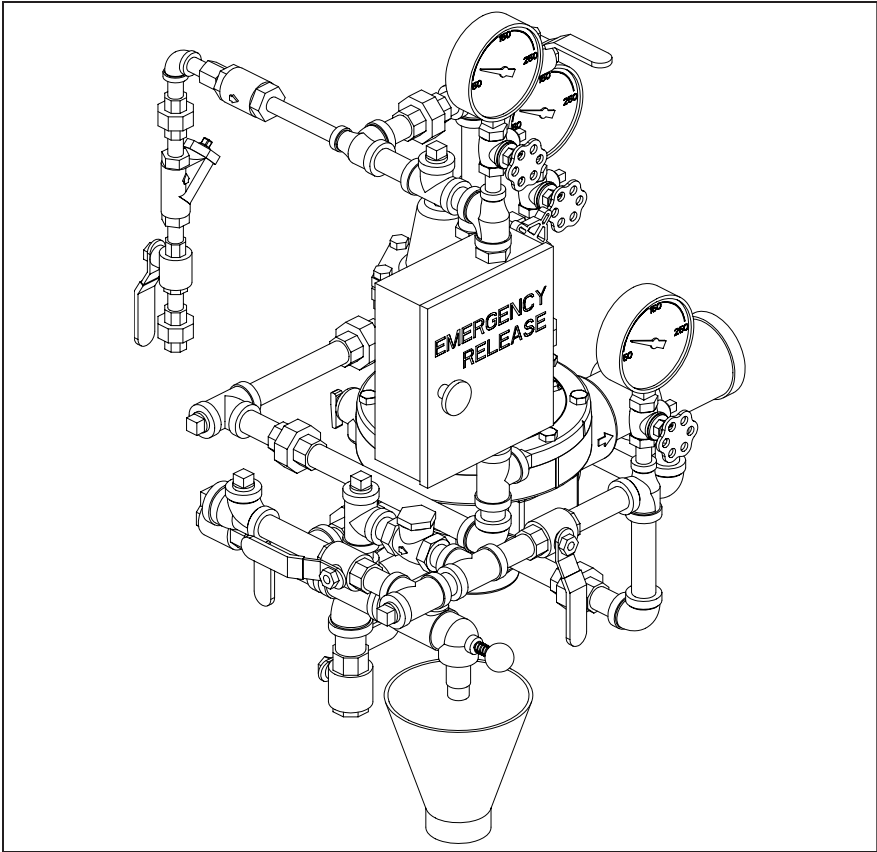


	<h1 style="margin: 0;">TECHNICAL DATA</h1>	<p>PILOT REGULATING FLOW CONTROL TRIM</p> <p>2" (DN50) MODEL H</p> <p>FLOW CONTROL VALVE</p>
---	--	---

The Viking Corporation, 210 N Industrial Park Drive, Hastings MI 49058
 Telephone: 269-945-9501 Technical Services 877-384-5464 Fax: 269-818-1680 Email: techsvcs@vikingcorp.com



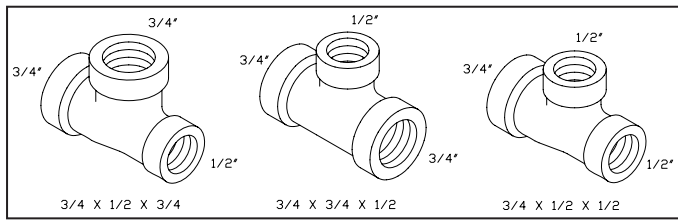
Valve Size	Galvanized Trim Part No.	Brass Trim Part No.
2" (DN50)	14764-1	14764-2
This trim is for use with the following Release Module Trim Kit		
Release Type	Galvanized	Brass
Electric	10830	10832
Note: Nipple lengths for brass trim may vary from those shown on this Trim Chart.		

Note: When viewing this data page online, [blue](#) text represents hyper links and will open the appropriate data page when clicked.

Notes: For use with Trim Charts on Page 543 b

General Notes:

- Valve must be trimmed as shown. Any deviation from trim size or arrangement may affect the proper operation of the valve.
- Dimensions in parenthesis are millimeters.
- Viking uses ANSI tee designations (large outlet on run, small outlet on run, side outlet) in all trim call-outs.



- Note 1:** Release System connection.
- Note 2:** Alarm Connections: Connect alarm line piping to 3/4" (20 mm) NPT outlet. When using a Water Motor Alarm, a strainer is required. 1/2" (15 mm) NPT outlet is for electric Alarm Pressure Switch.
- Note 3:** Optional non-interruptible connection for Alarm Pressure Switch to activate electric alarm panel. Note: After the Deluge Valve trips, this location cannot be shut off. Alarms may operate until the outlet chamber of the deluge valve is de-pressurized below the set point of the Alarm Pressure Switch.
- Note 4:** Viking Drain Check Valve is manufactured with a 0.067" (1.7 mm) orifice to allow alarm line to drain. Do not substitute. Check label for proper orientation.



TECHNICAL DATA

PILOT REGULATING FLOW CONTROL TRIM

2" (DN50) MODEL H

FLOW CONTROL VALVE

The Viking Corporation, 210 N Industrial Park Drive, Hastings MI 49058

Telephone: 269-945-9501 Technical Services 877-384-5464 Fax: 269-818-1680 Email: techsvcs@vikingcorp.com

Refer to page 543a for General Notes and Notes 1 through 4.

Order Flow Control Valve Separately

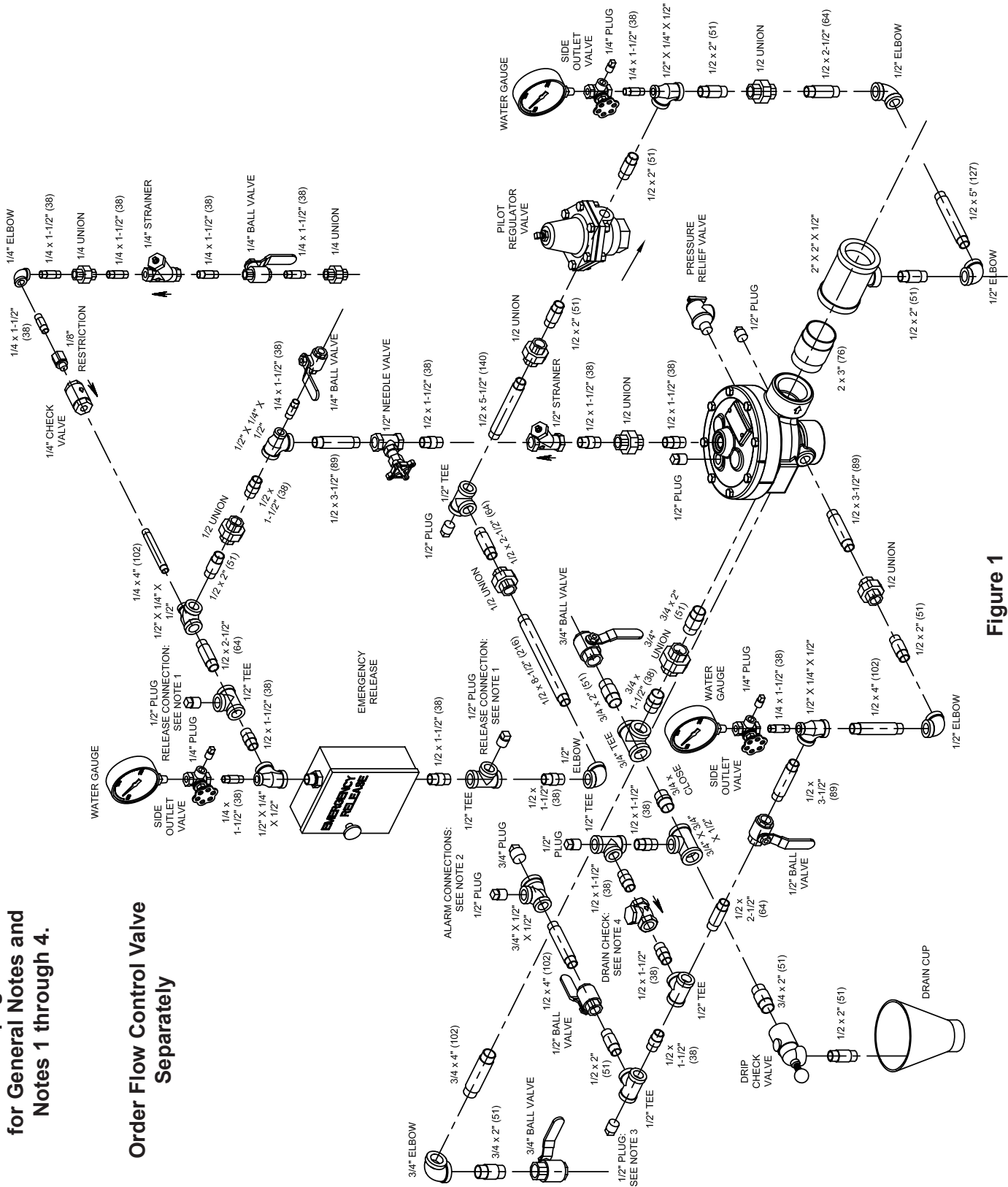


Figure 1
2" Pilot Regulating Flow Control Trim for Model H Flow Control Valve



TECHNICAL DATA

PILOT REGULATING FLOW CONTROL TRIM 2" (DN50) MODEL H FLOW CONTROL VALVE

The Viking Corporation, 210 N Industrial Park Drive, Hastings MI 49058

Telephone: 269-945-9501 Technical Services 877-384-5464 Fax: 269-818-1680 Email: techsvcs@vikingcorp.com

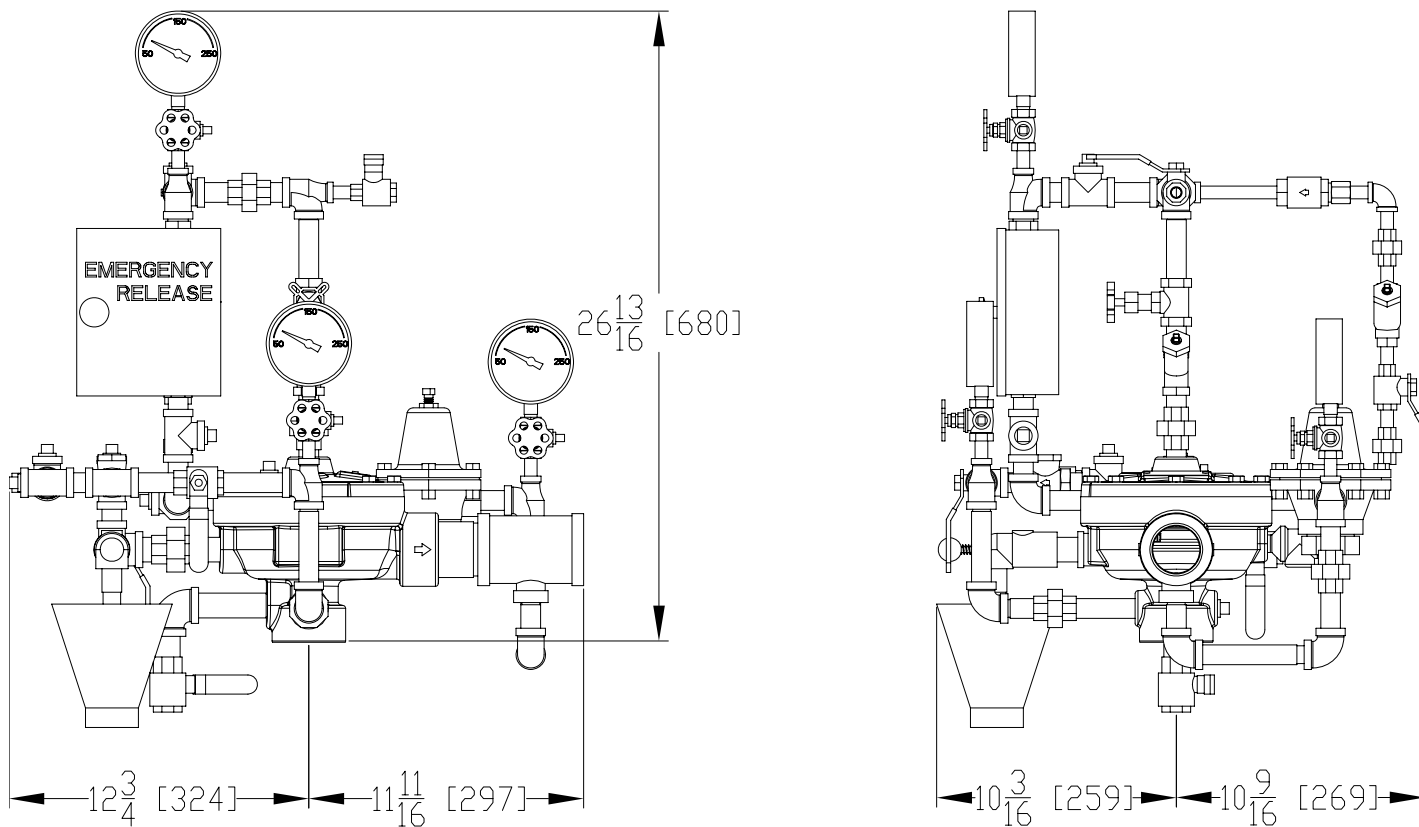


Figure 2 - Installation Dimensions

**THIS PAGE
INTENTIONALLY
LEFT BLANK**