



TECHNICAL DATA

PILOT REGULATING FLOW CONTROL HORIZONTAL TRIM 6" (DN150) MODEL J STRAIGHT THROUGH FLOW CONTROL VALVE

The Viking Corporation, 210 N Industrial Park Drive, Hastings MI 49058

Telephone: 269-945-9501 Technical Services: 877-384-5464 Fax: 269-818-1680 Email: techsvcs@vikingcorp.com

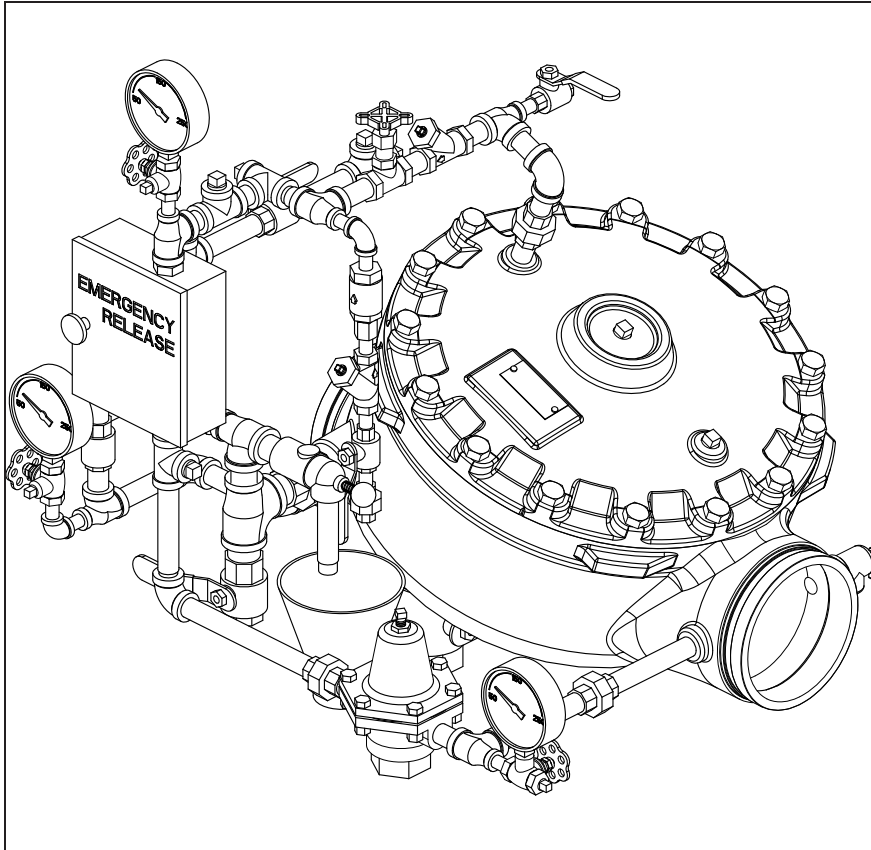


Figure 1

This Trim Chart is for use with the following Viking Trim Sets

| Valve Size | Galvanized Trim Part No. | Brass Trim Part No. |
|------------|--------------------------|---------------------|
| 6" (DN150) | 14776-1 | 14776-2 |

This trim is for use with the following Release Module Trim Kits

| Release Type | Galvanized | Brass |
|--------------|-----------------------|-----------------------|
| Electric | 10830 | 10832 |

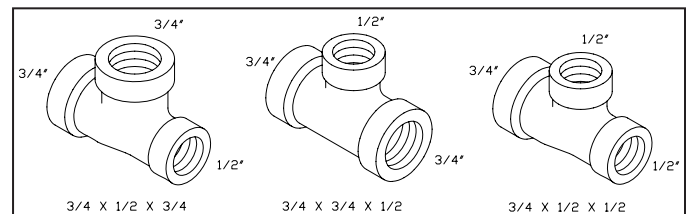
Note: Nipple lengths for brass trim may vary from those shown on this Trim Chart.

Note: When viewing this data page online, [blue](#) text represents hyperlinks and will open the appropriate data page when clicked.

Notes: For use with Trim Charts on Page 544r

General Notes:

- Valve must be trimmed as shown. Any deviation from trim size or arrangement may affect the proper operation of the valve.
- Dimensions in parentheses are millimeters.
- Viking uses ANSI tee designs (large outlet on run, small outlet on run, side outlet) in all trim call-outs.



Note 1: Release System connection.

Note 2: Alarm Connections: Connect alarm line piping to 3/4" (20 mm) NPT outlet. When using a Water Motor Alarm, a strainer is required. 1/2" (15 mm) NPT outlet is for electric Alarm Pressure Switch.

Note 3: Optional non-interruptible connection for Alarm Pressure Switch to activate electric alarm panel. Note: After the Deluge Valve trips, this location cannot be shut off. Alarms may operate until the outlet chamber of the deluge valve is de-pressurized below the set point of the Alarm Pressure Switch.

Note 4: Viking Drain Check Valve is manufactured with a 0.067" (1.7 mm) orifice to allow alarm line to drain. DO NOT substitute. Check label for proper orientation.

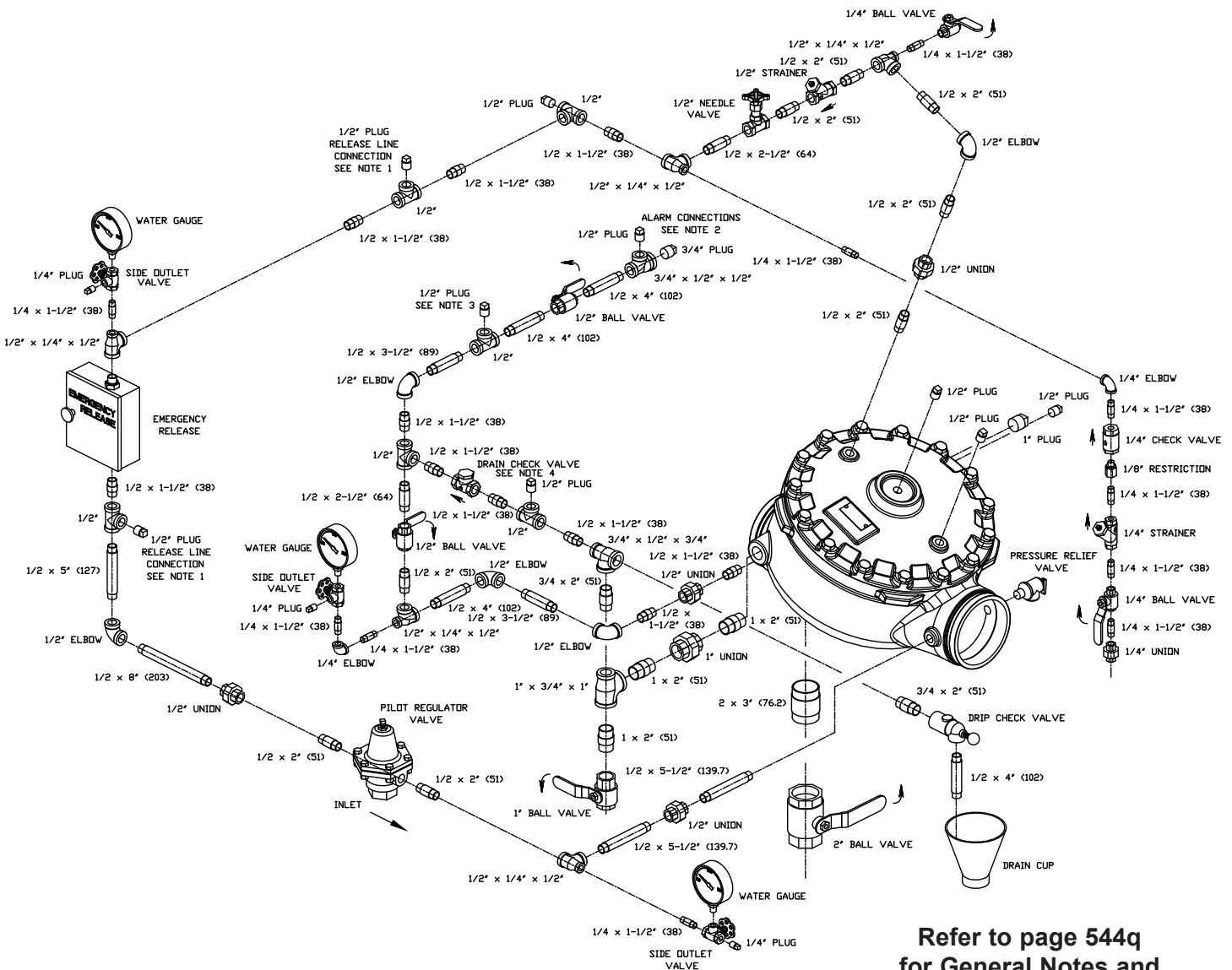


TECHNICAL DATA

PILOT REGULATING FLOW CONTROL HORIZONTAL TRIM 6" (DN150) MODEL J STRAIGHT THROUGH FLOW CONTROL VALVE

The Viking Corporation, 210 N Industrial Park Drive, Hastings MI 49058

Telephone: 269-945-9501 Technical Services: 877-384-5464 Fax: 269-818-1680 Email: techsvcs@vikingcorp.com



Refer to page 544q
for General Notes and
Notes 1 through 4.
**Order Flow Control Valve
Separately**

Figure 2
6" Pilot Regulating Horizontal Trim for Model J Flow Control Valve

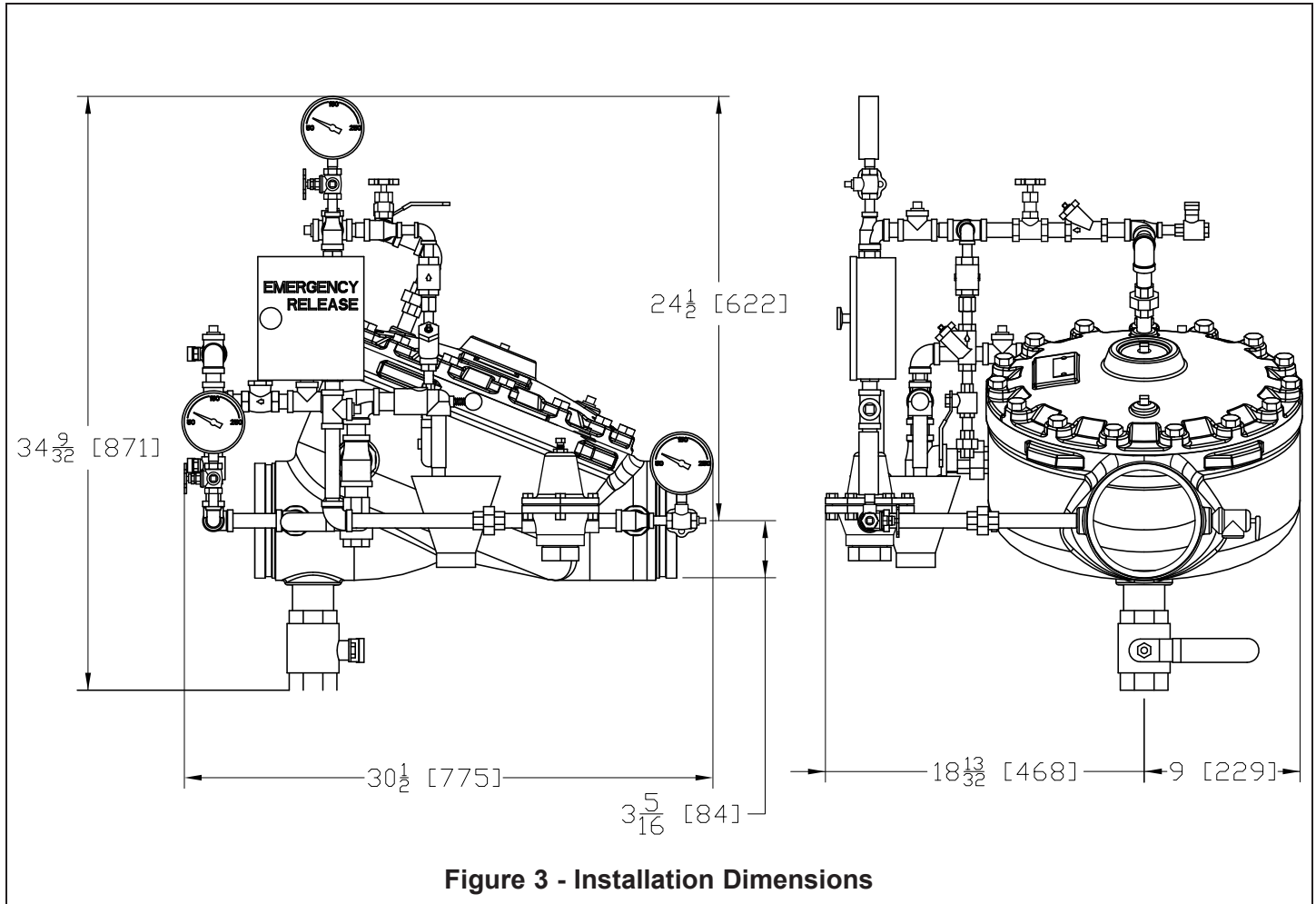


TECHNICAL DATA

**PILOT REGULATING FLOW
CONTROL HORIZONTAL TRIM
6" (DN150) MODEL J STRAIGHT THROUGH
FLOW CONTROL VALVE**

The Viking Corporation, 210 N Industrial Park Drive, Hastings MI 49058

Telephone: 269-945-9501 Technical Services: 877-384-5464 Fax: 269-818-1680 Email: techsvcs@vikingcorp.com



**THIS PAGE
INTENTIONALLY
LEFT BLANK**